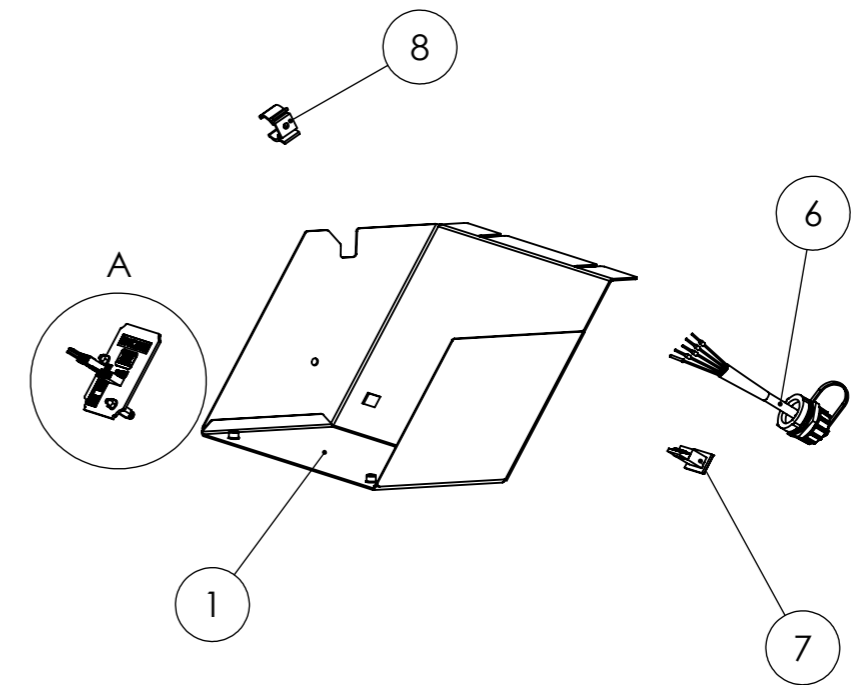
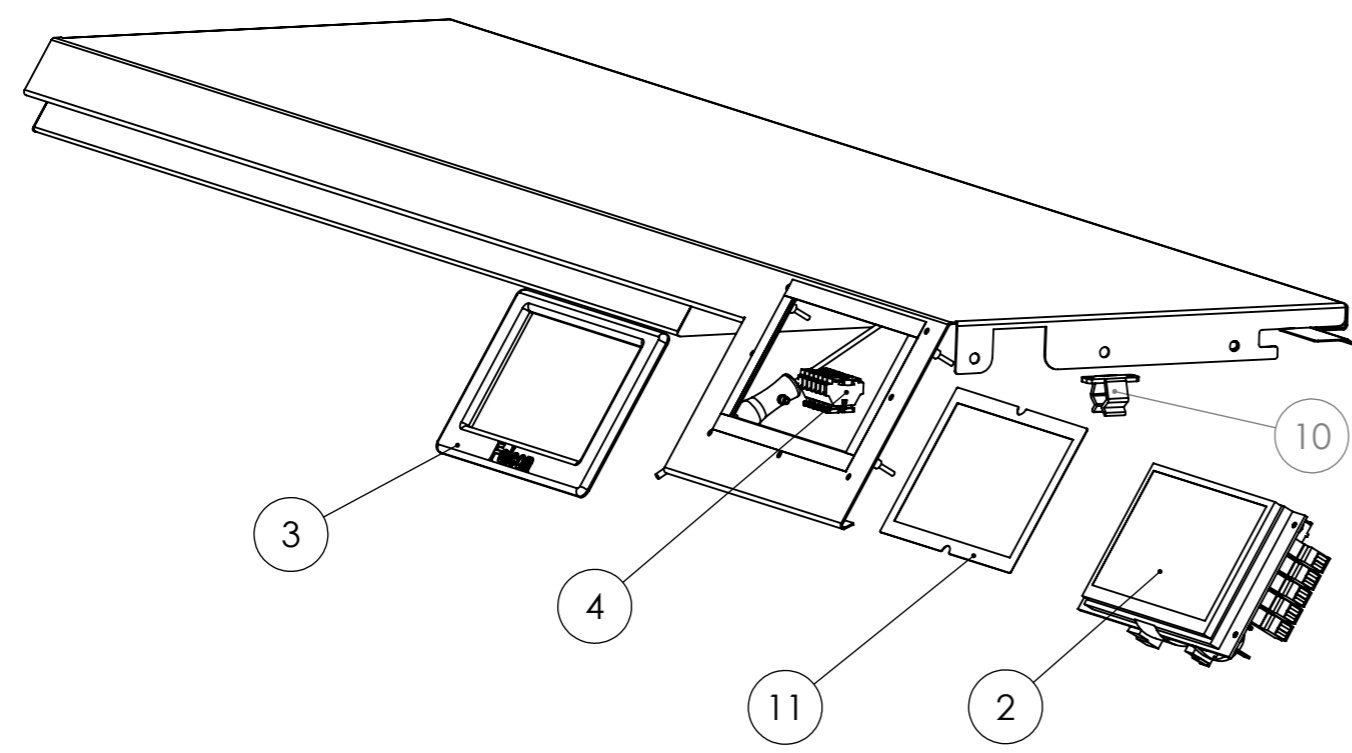


ITEM NO	SPARES No	DESCRIPTION
1	732200008	CONTROLLER ENCLOSURE
2	* SEE NOTE BELOW*	TOUCHSCREEN CONTROLLER KIT
3	732200010	TOUCHSCREEN BEZEL KIT
4	732200011	CONTROLLER TERMINAL BLOCK
5	732200012	LoRA NETWORK BOARD C/W CABLE & FIXINGS
6	732200013	USB LEAD, SOCKET AND C/W DUST CAP
7	732200014	FOOD PROBE SOCKET
8	732200015	FOOD PROBE CLIP C/W NUT & BOLT
9	732200016	FOOD TEMPERATURE PROBE (NOT SHOWN)
10	732200017	POWER CORD CABLE CLIP
11	732200031	CONTROLLER GASKET

NOTE
PLEASE CONTACT SALES WITH SERIAL No AND MODEL No OF THE APPLIANCE



PRODUCTION ISSUE

ISSUE	MOD No	ALTERATION	DRAWN BY	DATE
A	8526	PRODUCTION ISSUE	N.WHITE	14/06/21
B	8587	VIEWS UPDATED (ITEM 5)	N.WHITE	21/12/21
C	8607	TOUCHSCREEN CONTROLLER SPARES NOTE ADDED	R.WALLACE	15/03/22

IF IN DOUBT ASK
DO NOT SCALE
FIRST ANGLE PROJECTION

UNLESS OTHERWISE SPECIFIED:
DIMENSIONS ARE IN MILLIMETERS
TOLERANCES:
LINEAR: ±0.5mm
ANGULAR: ±0.5 DEG

DEBUR AND
BREAK SHARP EDGES

WEIGHT: g



DRAWN: **N.WHITE**

DATE: **17/05/21**

SCALE: **1:5**

MATL:

THICKNESS:

BIN No:

PRODUCT
F1H,F1V,F2HH,F2HR,F2VR,F2HRP

TITLE
SPARES - COMMON CONTROLS

DRAWING NUMBER
AH57145

ISSUE
C

PART No:

NO REPRODUCTION OR PUBLICATION OF THIS DRAWING MAY BE MADE AND NO ARTICLE MAY BE MANUFACTURED OR ASSEMBLED IN ACCORDANCE WITH THIS DRAWING WITHOUT PRIOR WRITTEN CONSENT. THIS PROHIBITION IS A TERM OF ANY CONTRACT RELATING TO THIS DRAWING. RIGHTS RESERVED UNDER THE COPYRIGHT ACT 1956 AS AMENDED BY THE DESIGN COPYRIGHT ACT 1968