



VARIO-THERM

HH2-GHT Hot Holding Trolley

Key features

Hot Hold Compartment

- Two hot holding compartments (portrait loading)
- Thermostatically controlled compartments
- Manual controls for simple operation (on / off switch)
- 8 x 1/1 GN capacity per compartment
- Lockable door handles
- 71mm between shelves
- Removable gasket
- Doors open 270° for ease of loading / unloading
- Removable shelf hangers for easy clean

Gantry and Hot Top

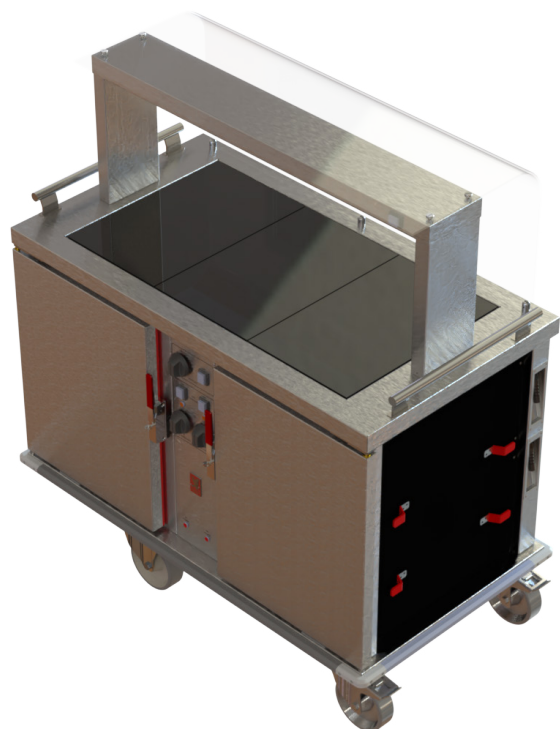
- Heated glass-panelled hot top
- Manual controls for simple operation (on / off switch)
- 6mm perspex sneeze screen on gantry
- Heat bulb situated above each hot top heat zone

General

- All round bumper bar
- 2 swivel and 2 braked castors for ease of manoeuvring
- 2 x 13A plugs (note, do not plug both into same twin socket)
- Brush steel finish

Supplied as Standard

- 8 shelves per heated compartment
- Lockable doors
- Black-coated aluminium panel finish
- Non-marking bumpers
- 2 x 13A plugs on 1.8m long cables

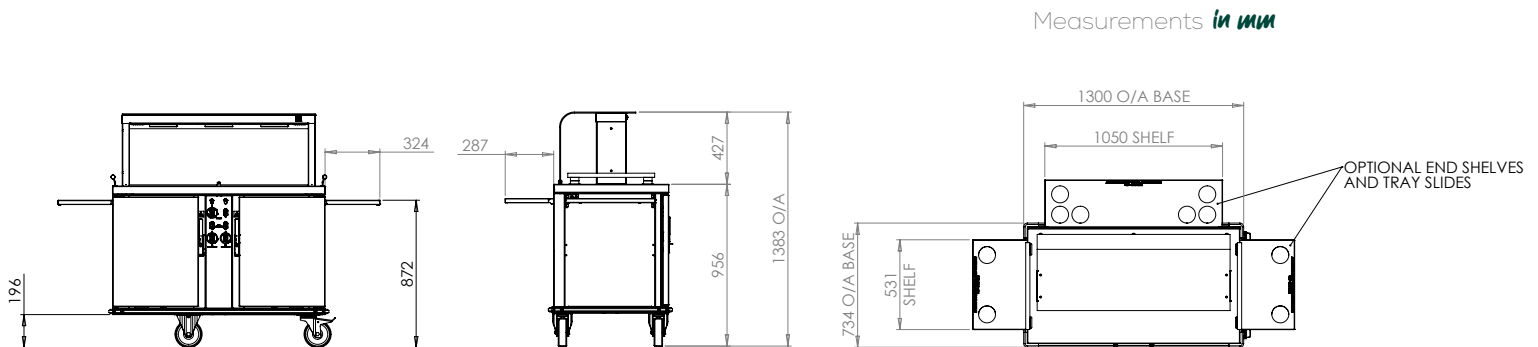


Other factory-fitted options:

- Tray slide and utensil holders
- End shelves and waste bag

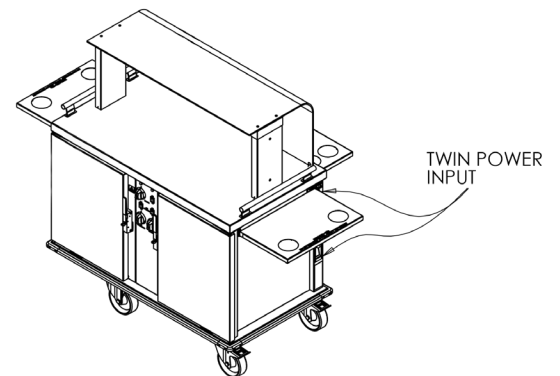
Compliance and conformity: Achieving the highest standards

- LVD to standard EN60335
- EMC to standard EN55014
- R.E.D. to standard ETS I301489-1
- IPX4 to standard EN60529
- CE (UKCA approved from January 2021)



Specification details

Electrical rating (kW)	4 (2 x 2)
Electrical supply voltage	230v
Required electrical supply (A)	13A
Weight (kg)	173
Packed weight (kg)	200
Packed dimensions (w x d x h - mm)	1400 x 750 x 1500



Installation notes

Do not install, position or operate when room temperature exceeds a maximum of 25°C or exceeds a relative humidity of 60%.

Do not plug both supplies into an adaptor, extension lead or a standard 13 amp double socket. Ensure both supplies are separate.

