



## DOMINATOR PLUS

# E3840X Single Pan, Twin Basket Fryer

### Key features

- Stainless steel hob with mild steel pan
  - Robust construction to withstand busy demands
- Temperature range between 130 - 190°C
  - Variable, precise control
- Sediment collection zone
  - Keeps oil cleaner for longer
- Resting position for elements
  - Allows easier, safe cleaning
- Fast-acting safety thermostat
  - Power cut to unit if oil overheats
- Drain bucket supplied as standard
  - Mounted upon slide for easy withdrawal
- Large diameter drain valve
  - Simple and efficient pan draining
- Supplied with fish grid, basket and lid
  - Everything you need to start frying

### Accessories

- Sidescreens
- Factory fitted, adjustable castors
- Fixed installation kit

### Similar Models

- E3840F Single pan, twin basket fryer with filtration
- E3860 Single pan, twin basket fryer
- G3840 Single pan, twin basket gas fryer



## FALCON ANGEL FRYER®

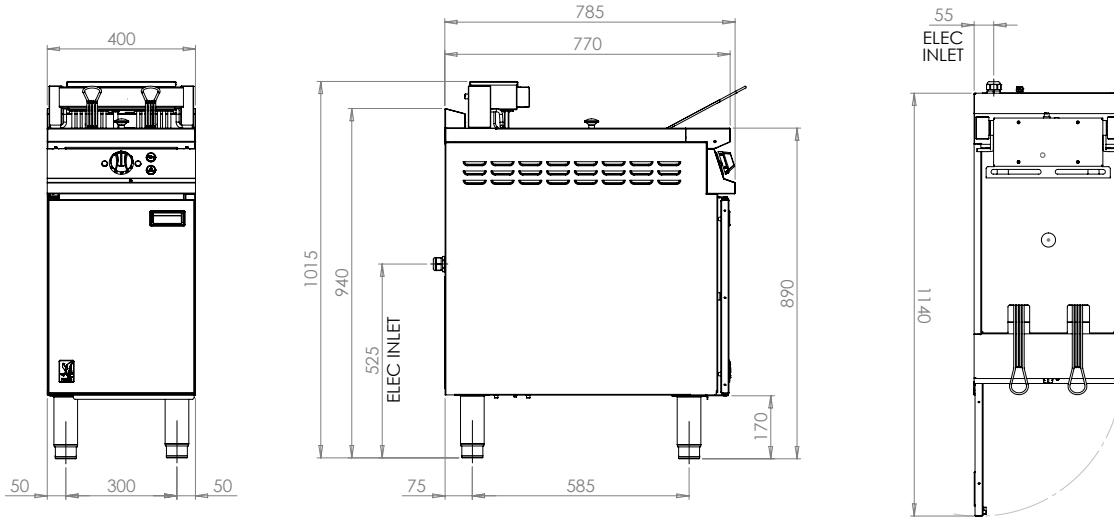
The unique *Falcon Angel Fryer* safety system prevents fryer fires, making it a must-have for any commercial kitchen.

The most common causes of fryer fire occur when oil levels are too low during cooking or when the appliance is switched on without the operator checking to see if there is enough oil in the pan. The *Falcon Angel Fryer* eradicates this by simply cutting power to the unit if the oil level is not at a sufficiently high level.

**The Falcon Angel Fryer - making your kitchen safer!**

UK Patent Serial No. GB2584184

*Single Pan, Twin Basket Fryer*



Measurements *in mm*

Unit on castors is the same hob height

**Specification** *details*

Electrical rating (kW)	20	
Electrical supply voltage	400V 3N~	
Required electrical supply 400V (A)	32	
Electrical current split (A)	L1: 29 L2: 29 L3: 29	
Oil capacity (litres)	20	
Hourly chip output (kg)	58	
Weight (kg)	66	
Packed weight (kg)	75	
Packed dimensions (w x d x h - mm)	450 x 1000 x 1100	
GTIN numbers	On feet	On castors
	5056466906986	5056466907167

**Installation notes**

Adequate ventilation must be provided to supply sufficient fresh air and to allow easy removal of any such products that may present a risk to health. Please consult current legislation for details that relate to specific locations.

Install unit on a level, fireproof surface in a well-lit position. If floor is made of a combustible material, local fire requirements must be checked to ensure compliance.

A clearance of 150mm should be observed between appliance and any combustible wall.

