



## **DOMINATOR***PLUS*

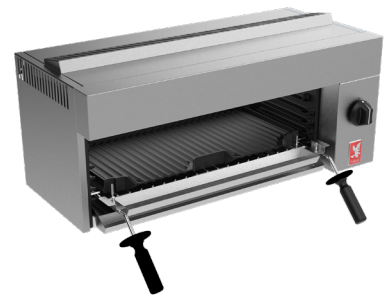
# *H3532 Hydrogen Gas Grill*

### Key features

- High performance burner systems
  - Ideal for flashing and finishing
- Variable heat settings
  - Save energy when full heat is not required
- Supplied with reversible brander
  - Increases cooking versatility
- Five position shelf runners
  - Provides flexible cooking options
- Oil collection tray mounted on grid shelf
  - Catches any liquid grese during grilling
- Removable drip tray
  - Catches grease and debris during grilling
- All stainless steel exterior, cast iron chamber linings
  - Easy to clean, long lasting and robust

### Accessories

- Brander
- Brander carrier
- Floor stand (shown on right)
- Wall bracket
- Bench Legs

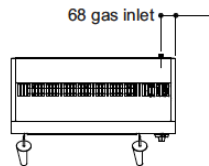
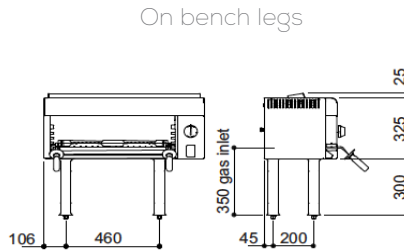
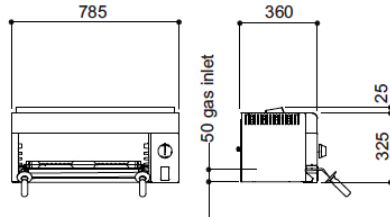
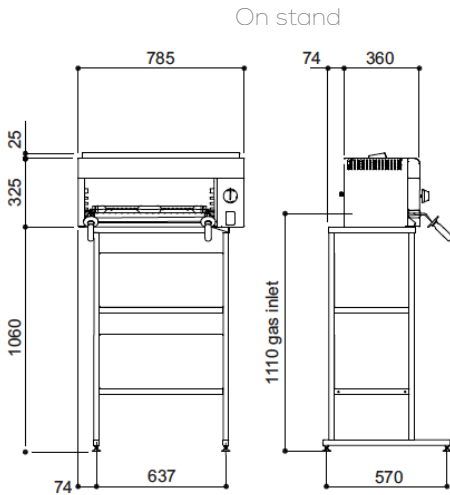


### Other Hydrogen Models

- H3101 six burner oven range
- H3860F twin basket fryer with filtration
- H3925 charginn
- H3641 smooth griddle

## Hydrogen Gas Grill

Measurements *in mm*



## Specification *details*

Total rating (kW - Nett)	6.1
Inlet size	1/2" BSP
Flow rate (m <sup>3</sup> /hr)	2.15
Inlet pressure (mbar)	20
Operating pressure (mbar)	15
Brander (w x d - mm)	540 x 275
Weight (kg)	33
Packed weight (kg)	40
Packed dimensions (w x d x h - mm)	800 x 400 x 550
GTIN number	5056466907495

## Installation notes

Adequate ventilation must be provided to supply sufficient fresh air for combustion and to allow easy removal of any such products that may present a risk to health. Please consult current legislation for details that relate to specific locations.

Install unit on a level, fireproof surface in a well-lit, draught free position. If floor is made of a combustible material, local fire requirements must be checked to ensure compliance.

A clearance of 150mm should be observed between appliance and any combustible wall.

