



F900

i9097 Solid Top Induction Boiling Top

Key features

- 5 zone energy efficient induction hob
 - All the usability, versatility and power of a gas solid top combined with the energy efficiency, increased controllability, easy clean and safety of induction.
 - 7.5kW 320 x 320mm central zone
 - 3kW 160 x 320mm zones right and left
 - 5kW front and 3kW rear zones are 670 x 100mm
- In-built pan detection
 - No heat generated until a pan is placed on the hob, meaning no wasted energy
- Ideal for multi-pot and large pot cooking
 - Smaller pots can share zones while larger ones can straddle zones
- Heavy duty ceramic glass hob
 - Robust and spillages simply wipe clean, no scrubbing required
- Temperature is precisely controllable
 - Change from gentle simmer to rolling boil almost instantly
- Low cooking surface temperature and no naked flames
 - Safer for kitchen staff as reduced risk of burns
- Very little heat emitted into kitchen
 - Contributes to a more pleasant working environment and existing ventilation doesn't have to work as hard
- IPX5 rated
 - Easy and problem-free cleaning
- Stainless steel panels with Scotch Brite finish
 - Looks great, ideal for front-of-house kitchens

- Dynamic Link System compatible
 - Integrated linking system allows quick and easy installation to create a seamless, continuous cookline

Accessories

- Fixed stand (ST90)
- Kick strip (for stand)
- Rear blanking plate (for stand)
- Factory fitted, adjustable castors (for stand)

Similar Models

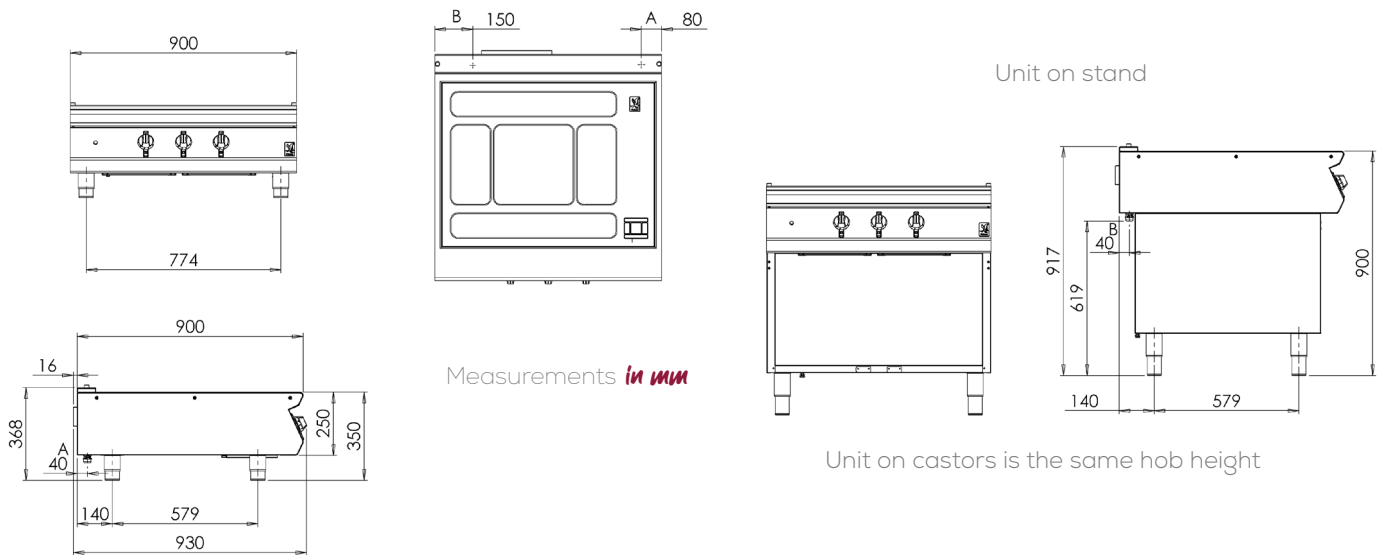
- E3907i solid top induction boiling top (Dom Plus)
- E3917i solid top induction range (Dom Plus)
- i9084 4 x 3.5kW induction boiling top
- E3903i 4 x 3.5kW induction boiling top
- E3904i 4 x 5kW induction boiling top



F900

i9097

Induction Boiling Top



Unit on stand

Unit on castors is the same hob height

Specification details

Electrical rating (kW)	21.5
Electrical supply voltage	400V 3N~
Required electrical supply (A)	31.2
Electrical current split (A)	L1: 31.2 L2: 31.2 L3: 31.2
Element rating (kW)	1 x 7.5, 1 x 5, 3 x 3
Heat zone sizes (mm)	Centre - 320 x 320 Sides - 160 x 320 Front & back - 670 x 100
Minimum pan size (mm)	120
Weight (kg)	120
Packed weight (kg)	135
Packed dimensions (w x d x h - mm)	1000 x 1000 x 700
GTIN number	5056466907518

Short Form specification

Unit to be Falcon F900 Series induction solid top having 5 cooking zones. Central zone to be 7.5kW with left, right and rear zones being 3kW each and front zone being 5kW. Unit to be supplied upon adjustable feet or upon optional base unit.

The hob will be constructed from 6mm toughened ceramic glass and 2mm 304 grade stainless steel. Hobs will be laser cut with right-angled edges to allow joining of units with no gaps between hobs. Exterior panels are Scotch Brite finish stainless steel. Control knobs to be marked showing zone variable control settings and to have a bezel behind each knob to prevent water ingress. The unit will have IPX 5 water resistance certification.

Installation note

Please consult local legislation with regard to installation of cooking equipment.



Falcon Foodservice Equipment, Wallace View, Hillfoots Road, Stirling FK9 5PY Scotland
t: +44 (0) 1786 455 200 e: info@falconfoodservice.com www.falconfoodservice.com

i9097/SS/1222