

F900 SERIES



i9097 Induction Solid Top

Spares Information

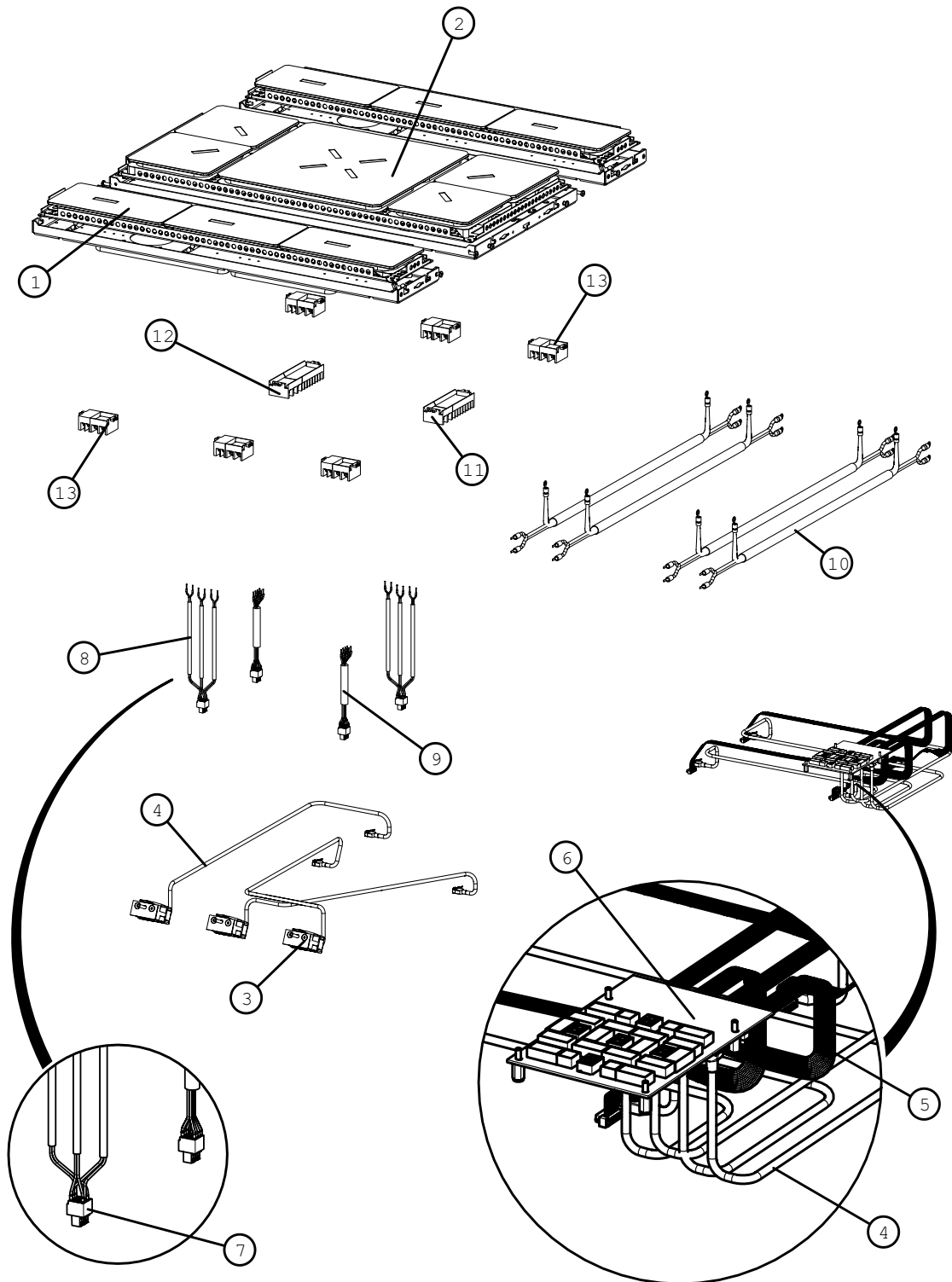


Falcon Foodservice Equipment

Wallace View, Hillfoots Road, Stirling FK9 5PY t: +44 (0) 1786 455 200
info@falconfoodservice.com www.falconfoodservice.com

Rev 1 - May 2023

i9097 Induction Solid Top Fitments and Controls



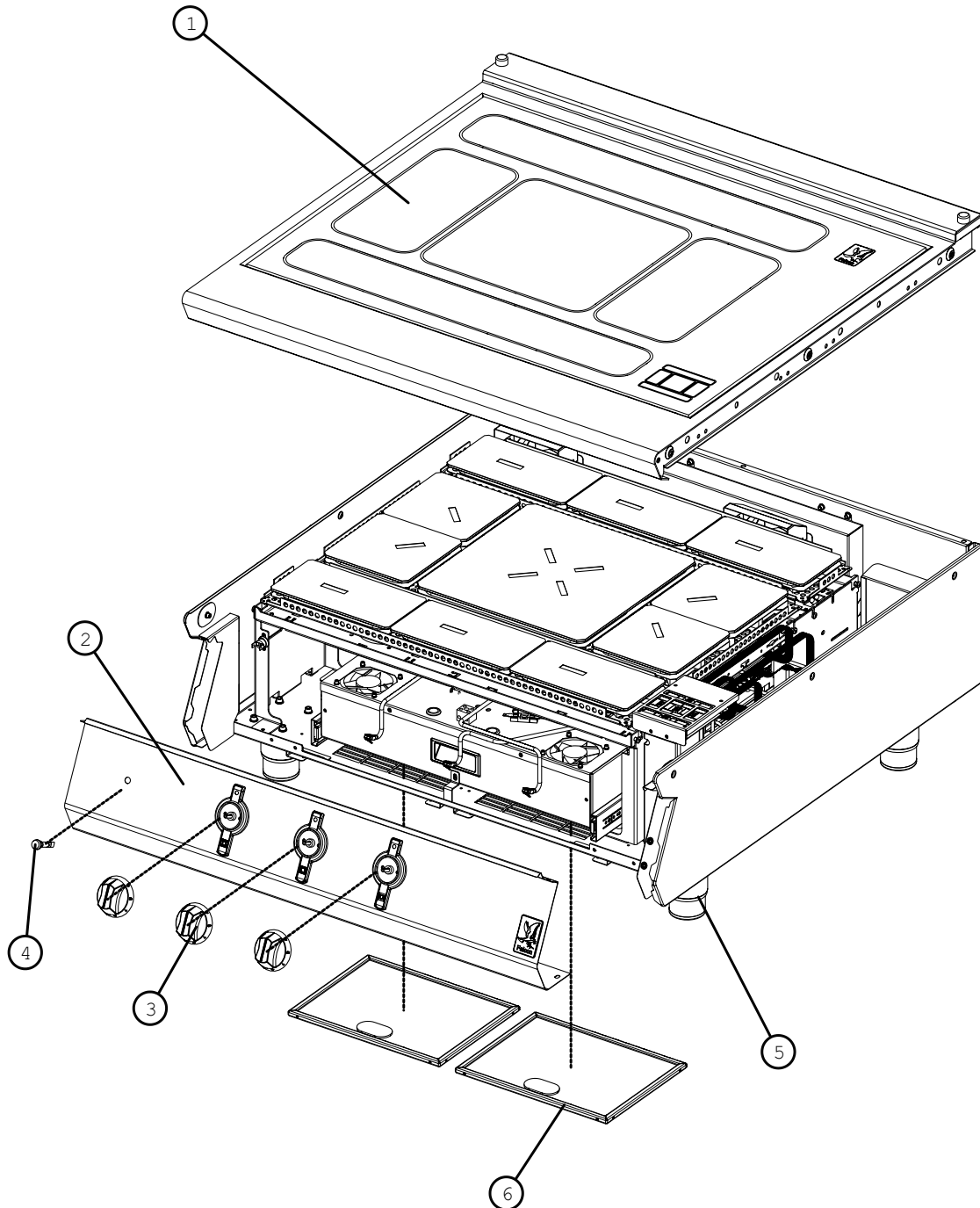


Fitments and Controls

<u>Item</u>	<u>Description</u>	<u>Spares No.</u>	<u>Part No.</u>
1.	Induction heater + carrier (front or rear zone)	734050007	R8066
2.	Induction heater + carrier (centre, left & right zone)	734050008	R8068
3.	Knob coding switch	734050009	R8069
4.	Display cable RJ45-RJ45	734050012	R8094
5.	Display cable 14 pole ribbon cable	734050013	R8070
6.	LED digital display board c/w spacers & nuts	734050014	
7.	Generator sensor block 8 way	734050015	R8096
8.	Sensor cable harness 3 way	734050016	
9.	Sensor cable harness 4 way	734050017	
10.	Coil power cable harness	734050018	
11.	Terminal block 2 x 40A + 8 x 10A with lugs	734050019	R8120
12.	Terminal block 3 x 40A + 8 x 10A with lugs	734050020	R8121
13.	Terminal block 2 x 40A + 2 x 10A with lugs	734050021	R8119

i9097 Induction Solid Top

Hob Fitments



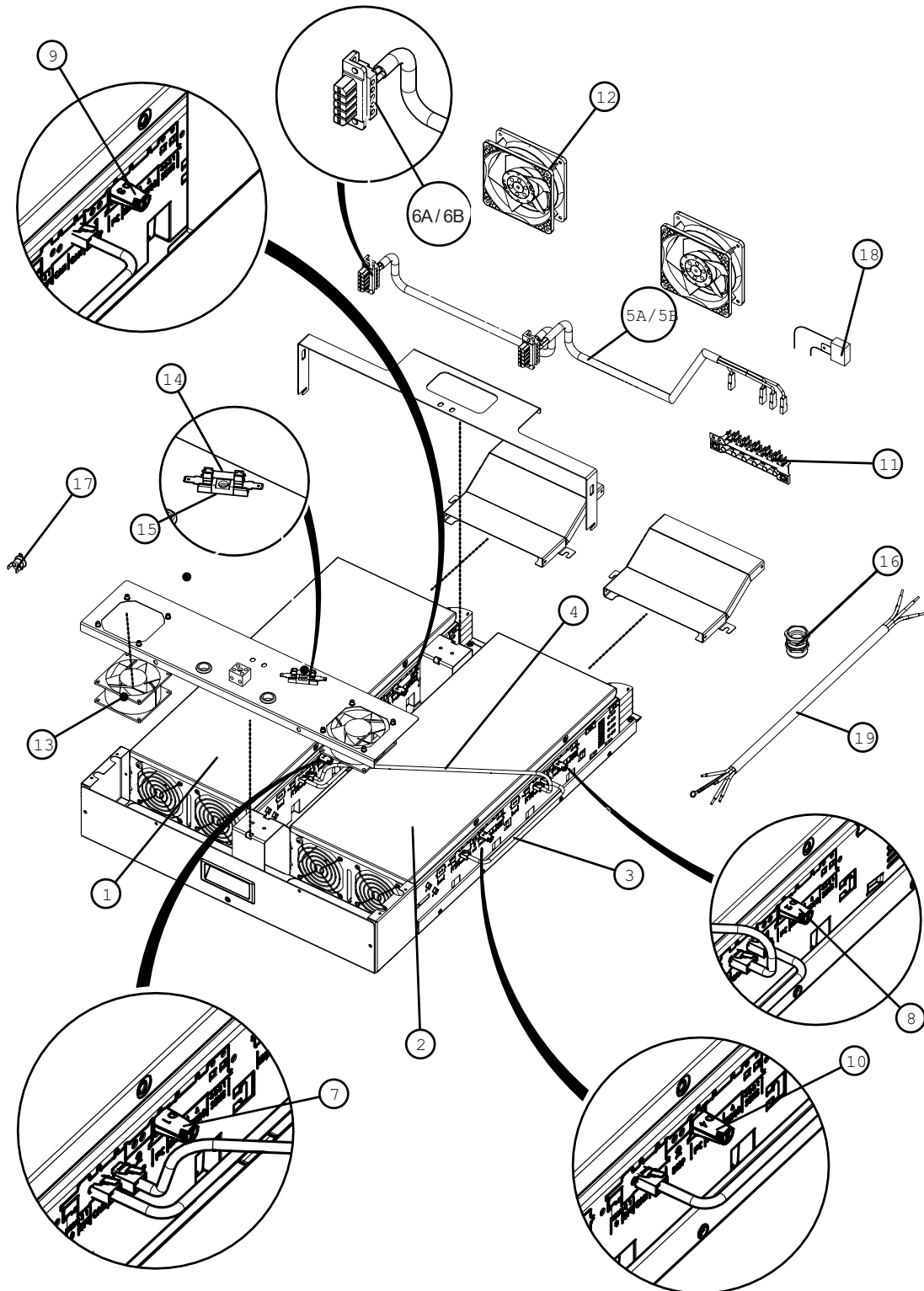


Hob Fitments

<u>Item</u>	<u>Description</u>	<u>Spares No.</u>	<u>Part No.</u>
1.	Induction hob assembly	733930003	
2.	Control panel	733930004	
3.	Control knob	733930005	R8086
4.	Mains pilot light	730962010	RA9249
5.	Adjustable feet	535150025	R6377
6.	Induction air filter	734250004	R5969

i9097 Induction Solid Top

Electrics





Electrics

<u>Item</u>	<u>Description</u>	<u>Spares No.</u>	<u>Part No.</u>
1.	Generator c/w memory sticks for "A" setup	734050022	
2.	Generator c/w memory sticks for "B" setup	734050023	
3.	Can / Harness RJ12-RJ12 cable short	734050024	R8092
4.	Can / Harness RJ12-RJ12 cable long	734050025	R8108
5A.	Generator power cables harnesses Pre April 23	734050026	
5B.	Generator power cables harnesses Post April 23	734050036	
6A.	5 position terminal block plug Pre April 23	734050027	
6B.	5 position terminal block plug Post April 23	734050028	R8145
7.	Memory stick for Gen B marked "ID 1"	734050030	R8071
8.	Memory stick for Gen A marked "ID 2"	734050031	R8072
9.	Memory stick for Gen B marked "ID 3"	734050032	R8073
10.	Memory stick for Gen A marked "ID 4"	734050033	R8074
11.	Mains terminal (6 way)	731000006	R6823
12.	Rear cooling fan	735400360	R2700
13.	Front cooling fan	734500190	R7272
14.	Fuse	734050038	R8161
15.	Fuse holder	734310510	RFF40
16.	Cable gland & nut	734050034	
17.	Hob cooling fan thermostat	733990011	R6947
18.	Capacitor cable assy	734050035	
19.	Supply cord 3m long without plug	734050037	