

SAE201BV

COMBI STEAMER FOR GASTRONOMY
20 X 1/1 GN
ELECTRIC WITH DIRECT STEAM

MANUAL ELECTRONIC CONTROLS
ASSISTED COOKING
EQUIPPED WITH N. 1 TROLLEY NKS201



3.5-inch (LCD - TFT) colour display for displaying your favourite programs, pre-set programs, variable fan speed, automatic washing, menus, and settings.

WHEN TECHNOLOGY REINVENTS THE PAST



QUICK

Broccoli in just 7 minutes.
24 chickens in 30 minutes (Ref. mod.101)



SMALL

Up to 15% less space by miniaturising the components.



EFFICIENT

Energy monitor. VCS Vapor Clean System, new washing system.
Reduction in detergent consumption up to 30% less.



POWERFUL

With up to 20% more power, it also guarantees faster cooking with full loads which are always perfect. The new energy supply systems result in savings of up to 16% less compared to previous models.



ACCURATE

Stable and accurate temperature at all times thanks to the automatic consumption management. Autoclima controls the ideal climate, thus guaranteeing excellent cooking quality at all times.



STURDY

Long Life Component LLC. New long-lasting components.
EMA Easy Maintenance Access to reduce service intervention times.

General data

Capacity	GN	20 x 1/1 GN	Packing dimensions (W x D x H)	mm	1100 x 1110 x 2040
Distance between layers	mm	63	Weight - Net / Gross	kg	273 / 316
Meals - Croissants	n°	150 / 300 - 240	Volume	m ³	2,44
Max. tray load	kg	25	Minimum installation clearance - left side	mm	50
Max. total load	kg	90	Minimum installation clearance - rear side	mm	50
Net external dimensions (W x D x H)	mm	892 x 862 x 1812	Minimum installation clearance - right side	mm	500
Maximum external dimensions (W x D x H)	mm	892 x 966 x 1856			

Power supply

Total electric power	kW	37,2	Chamber heating output	kW / kcal	36 / -
Consumption	Amp	58	Frequency	Hz	50/60
Power supply voltage	V	3N-AC 400	Differential switch, single-phase frequency converter		RCD cl. B

Water Connection

Cold water inlet	∅ - inch.	3/4	Discharge	∅ - mm	50
Softened water inlet	∅ - inch.	3/4	Minimum water flow	l / min	10
Min. pressure	bar	2	Drainage slope		4°
Max. pressure	bar	5			

Water quality

Water hardness for steam generation connection	°dh / ppm	6° / 9° fH	NH ₂ Cl (monochloramine)	mg / l	0,2
pH value	Ph	> 7,5	Max. cold water temperature	°C	30
Cl (chloride) - max	mg / l	30 mg/l max	Max. softened water temperature	°C	50
Cl ₂ (free chlorine)	mg / l	0,1 mg/l max	Electrical conductivity	µs	50 - 200
Fe (iron)	mg / l	0,1 mg/l max			

Emissions

Latent heat	W / kW	6696	Max. liquid discharge temperature	°C	85
Sensitive heat	W / kW	4464	Noisiness	db	< 50

Special voltages and frequencies on request.

Water treatment (softener) system recommended.

COOKING MODES

- AUTOMATIC WITH 95 TESTED AND STORED COOKING PROGRAMMES, INCLUDING PROGRAMMES FOR REHEATING ON THE PLATE OR IN THE PAN.
- PROGRAMMABLE WITH THE ABILITY TO STORE 99 COOKING PROGRAMMES IN AUTOMATIC SEQUENCE (UP TO 9 CYCLES), ASSIGNING A NAME AND DEDICATED ICON.
- MANUAL MODE WITH THREE COOKING MODES AND INSTANT COOKING START: CONVECTION FROM 30°C TO 300°C, STEAM FROM 30°C TO 130°C, COMBINATION CONVECTION + STEAM FROM 30°C TO 300°C.
- RAPID SELECTION OF FAVOURITE PROGRAMS USING SCROLL & PUSH, WITH THE DEDICATED SCROLLER.
- AUTOCLIMA® - SYSTEM THAT AUTOMATICALLY MANAGES THE PERFECT CLIMATE IN THE COOKING CHAMBER.
- FAST-DRY BOOSTED® - AUTOMATIC SYSTEM FOR QUICK DEHUMIDIFICATION OF THE COOKING CHAMBER.

OPERATION

- LED HVS (HIGH VISIBILITY SYSTEM) ALPHANUMERIC DISPLAY TO DISPLAY THE TEMPERATURES, AUTOCLIMA, TIME AND CORE TEMPERATURE.
- 3.5-INCH (LCD - TFT) COLOUR DISPLAY FOR DISPLAYING YOUR FAVOURITE PROGRAMS, PRE-SET PROGRAMS, FAN, AUTOMATIC WASHING, MENUS AND SETTINGS.
- SCROLLER KNOB WITH SCROLL AND PUSH FUNCTION FOR CONFIRMING CHOICES.
- LED BARS TO SIGNAL THAT THE TEMPERATURE, TIMER AND PROBE TEMPERATURE ARE ACTIVATED.
- MANUAL PRE-HEATING.
- COOL DOWN FUNCTION FOR THE RAPID FAN-COOLING OF THE COOKING CHAMBER.
- AUTOMATIC RESUMPTION OF COOKING IN CASE OF A POWER FAILURE.
- RAPID COOLING WITH POSSIBLE INJECTION OF WATER INTO THE COOKING CHAMBER.
- MANUAL HUMIDIFIER.
- ACOUSTIC AND VISUAL SIGNALLING DURING THE VARIOUS STAGES OF COOKING, WITH A FLASHING LIGHT AT THE END OF THE CYCLE.
- USER INTERFACE WITH A CHOICE OF 29 LANGUAGES.
- POSSIBILITY TO VIEW AND MODIFY THE RECIPE AT ANY TIME.

CONTROL MECHANISMS

- AUTO REVERSE (AUTOMATIC REVERSE OF FAN ROTATION) FOR PERFECT COOKING UNIFORMITY.
- EASY ACCESS TO PROGRAMMABLE USER PARAMETERS TO CUSTOMISE THE APPLIANCE THROUGH THE USER MENU.
- AUTOMATICALLY REGULATED STEAM CONDENSATION.
- ABILITY TO CHOOSE UP TO 6 FAN SPEEDS; THE FIRST 3 SPEEDS AUTOMATICALLY TRIGGER A REDUCTION IN HEATING POWER. FOR SPECIAL COOKING METHODS, YOU CAN USE AN INTERMITTENT SPEED.
- TEMPERATURE CONTROL AT THE PRODUCT CORE USING PROBE WITH 4 DETECTION POINTS.
- MULTIPOINT CORE PROBE WITH EXTERNAL CONNECTOR, Ø 3 MM.
- USB CONNECTION TO DOWNLOAD HACCP DATA, UPDATE SOFTWARE AND LOAD/DOWNLOAD COOKING PROGRAMMES.
- POSSIBILITY OF SETTING COMBI SWITCH-OFF AT THE END OF THE AUTOMATIC WASH PROGRAM.
- PRE-CONFIGURED SN ENERGY OPTIMISATION SYSTEM (OPTIONAL).
- SERVICE PROGRAM: TESTING THE OPERATION OF THE ELECTRONIC BOARD - DISPLAY OF THE TEMPERATURE PROBES - COUNTER FOR OPERATING HOURS OF ALL PRIMARY FUNCTIONS FOR PROGRAMMED MAINTENANCE.
- SELF-DIAGNOSIS BEFORE STARTING TO USE THE EQUIPMENT, WITH DESCRIPTIVE AND AUDIBLE SIGNALLING OF ANY ANOMALIES.
- LOW CONSUMPTION LED COOKING CHAMBER LIGHTING. OPTIMAL VISIBILITY IN ALL POINTS OF THE COOKING CHAMBER. NEUTRAL LIGHT THAT DOESN'T ALTER THE ORIGINAL COLOURS OF THE PRODUCT.
- ECOVAPOR - WITH THE ECOVAPOR SYSTEM, THERE IS A NET REDUCTION IN WATER AND ENERGY CONSUMPTION DUE TO THE AUTOMATIC CONTROLS OF THE STEAM SATURATION IN THE COOKING CHAMBER.
- INTELLIGENT ENERGY SYSTEM - BASED ON THE QUANTITY AND TYPE OF PRODUCT, THE OVEN OPTIMISES AND CONTROLS THE ENERGY OUTPUT, MAINTAINING THE BEST COOKING TEMPERATURE AND AVOIDING FLUCTUATIONS.

CONSTRUCTION

- FULL AISI 304 COMBI.
- COOKING CHAMBER IN 1 MM THICK 18/10 AISI 304 STAINLESS STEEL WITH LONG FULLY ROUNDED EDGES FOR BEST AIR FLOW AND EASIER CLEANING.
- PERFECTLY SMOOTH, WATERTIGHT CHAMBER.
- DOOR WITH REAR VENTILATED DOUBLE TEMPERED GLASS WITH AIR CHAMBER AND INTERIOR HEAT-REFLECTING GLASS FOR LESS HEAT RADIATION TOWARDS THE OPERATOR AND GREATER EFFICIENCY.
- INTERNAL GLASS THAT FOLDS TO OPEN FOR EASY CLEANING.
- DOOR WITH THREE LOCKING POINTS. HANDLE BRAKE IN OPEN DOOR POSITION.
- ADJUSTABLE HINGE FOR OPTIMAL SEAL.
- DEFLECTOR THAT CAN BE OPENED FOR EASY FAN COMPARTMENT CLEANING.
- NEW PUSH-IN ADAPTABLE DOVE-TAIL JOINT SEAL FOR OVEN FRONT PANEL MADE WITH HEAT AND AGE RESISTANT SILICON RUBBER, EASY TO REPLACE.
- NEW OVEN DRAIN WITH BUILT-IN AIR GAP IN ACCORDANCE WITH STANDARD EN61770.
- FRONT REMOVABLE CONTROL PANEL FOR EASY SERVICING.
- TWO WATER INLETS (SOFT AND COLD WATER).
- COMPACT BRUSHLESS MAGNETIC DRIVE MOTORS.
- SOLID STATE RELAY FOR POWER OPTIMISATION AND MODULATION.
- LONG LIFE COMPONENT LLC - USE OF NEW LONG-LASTING COMPONENTS.
- LONG LIFE GASKET - LLG. AUTOMATIC ELECTROMAGNETIC TRACKED FRAME HOLD AND RELEASE SYSTEM TO PRESERVE THE SEAL OF THE STOP GASKET.

ELECTRICAL OPERATION

- COOKING CHAMBER HEATING SYSTEM WITH ARMoured HEATING ELEMENTS IN INCOLOY 800 STAINLESS STEEL.
-

STEAM GENERATION - DIRECT

- DIRECT COOKING CHAMBER STEAM GENERATION SYSTEM WITH WATER INJECTION DIRECTLY ON THE FAN AND NEBULIZATION ON THE HEATING ELEMENTS. ADVANTAGE: IMMEDIATE AVAILABILITY OF STEAM IN THE COOKING CHAMBER.

SAFETY FEATURES

- COOKING CHAMBER TEMPERATURE LIMITER.
- COOKING COMPARTMENT SAFETY DEVICE FOR PRESSURE BUILT-UP AND DEPRESSION.
- FAN MOTOR THERMIC PROTECTION.
- DOOR OPEN/CLOSED ELECTRONIC SENSOR.
- ELECTRONIC CONTROL FOR LACK OF WATER ALARM.
- SELF-DIAGNOSIS WITH SMART ERROR VIEWING.
- VENTILATED COMPONENT COOLING SYSTEM WITH ELECTRONICALLY CONTROLLED OVER-TEMPERATURE DISPLAY.
- FAN MOTOR BRAKE.
- MAXIMUM EXTERNAL DOOR FRONT TEMPERATURE OF 65°C.
- COMPLIES WITH NATIONAL AND INTERNATIONAL STANDARDS FOR SAFE OPERATION IN CASE OF USE WITHOUT DIRECT OPERATOR SUPERVISION - IEC 60335-1 / IEC 60335-2-42.
- MAXIMUM LAST TRAY SHELF HEIGHT 160 CM.
- IN CASE OF A POWER FAILURE DURING WASHING, HYGIENE IS ALWAYS GUARANTEED INsofar AS THE WASHING CYCLE IS AUTOMATICALLY RESUMED.

CLEANING AND MAINTENANCE

- VCS - VAPOR CLEAN SYSTEM. NEW AUTOMATIC WASHING SYSTEM WITH VAPORISATION OF THE DETERGENT IN THE COOKING CHAMBER. ALLOWS A SIGNIFICANT REDUCTION IN DETERGENT CONSUMPTION UP TO 30% (PATENT PENDING). SEPARATE CONTAINER AND AUTOMATIC DISPENSING (COMBICLEAN DL010 LIQUID CLEANSER). SUPPLIED WITH 1 LIQUID CLEANSER TANK DL010 - 990 GR.
- WMS - WASH MANAGEMENT SYSTEM. SYSTEM ALLOWING WASHING PROGRAMMES TO BE PLANNED BASED ON COMBI USE.
- 7 AUTOMATIC WASHING PROGRAMMES WITHOUT THE NEED FOR OPERATOR INPUT AFTER START-UP: MANUAL - RINSE - FAST - SOFT - MEDIUM ECO - HARD ECO - GRILL.
- "FAST" ULTRA-FAST WASHING IN 10'. MINIMUM INTERRUPTIONS TO THE WORK CYCLE AND CONSISTENTLY OPTIMAL CLEANING.
- MANUAL CLEANING SYSTEM WITH RETRACTABLE HAND-HELD SHOWER.
- EASY EXTERNAL CLEANING THANKS TO PERFECTLY SMOOTH SURFACES IN STAINLESS STEEL AND GLASS AND IPX5 PROTECTION AGAINST WATER SPLASHES.

INSTALLATION & ENVIRONMENT

- 100% RECYCLABLE PACKAGING.
- LCP - LIFE CYCLE PERSPECTIVE: CO2 CONSUMPTION - 380KGCO2 EQ/YEAR. THE CALCULATION WAS PERFORMED TAKING MOD. _E101B (MODEL WITH STEAM GENERATOR), TAKING INTO ACCOUNT A HYPOTHETICAL RESTAURANT USE AND CONSIDERING 8 HOURS A DAY FOR 3.5 DAYS A WEEK, FORTY-EIGHT DAY PER YEAR.
- PRODUCT RECYCLING RATE 90%.
- QUALITY ISO 9001 / SAFETY ISO 45001 / ENVIRONMENTAL ISO 14001 CERTIFICATION.
- IT IS RECOMMENDED TO HAVE THE EQUIPMENT INSTALLED BY LAINOX ACCREDITED SERVICE CENTERS.
- IT IS RECOMMENDED TO HAVE PERIODIC MAINTENANCE CARRIED OUT BY A LAINOX SERVICE CENTER IN ACCORDANCE WITH THE MANUFACTURER'S RECOMMENDATIONS AND AS STATED IN THE MAINTENANCE MANUAL AND WARRANTY.
- COMPLIES WITH ENERGY STAR PARAMETERS. PUBLICATION ON WWW.ENERGYSTAR.GOV

STANDARD EQUIPMENT

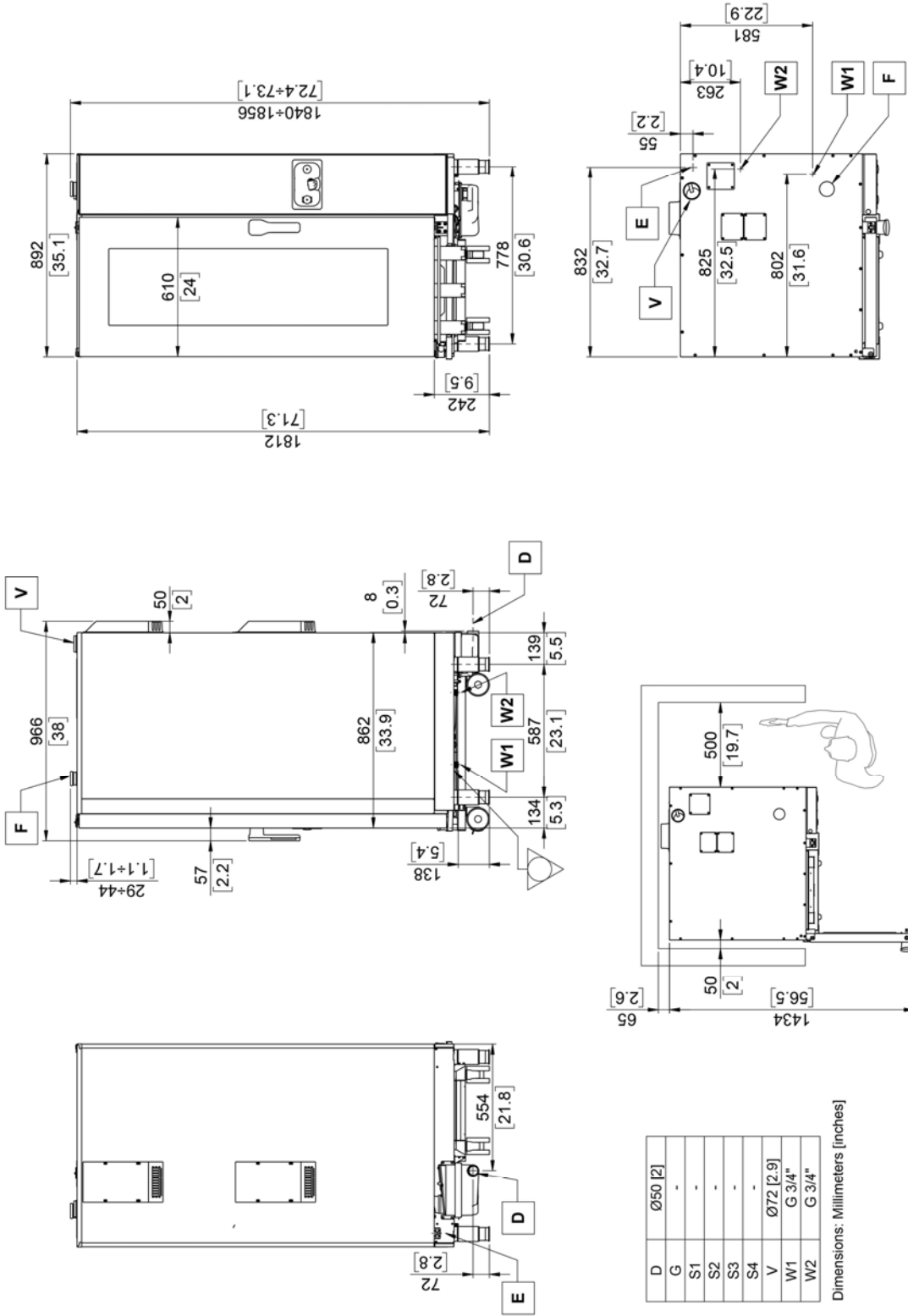
- AUTOMATIC CLEANING SYSTEM VCS - SUPPLIED WITH 1 LIQUID CLEANSER TANK DL010, 990 GR.
- MULTIPOINT CORE PROBE Ø 3 MM. WITH EXTERNAL CONNECTOR
- BUILT-IN AND RETRACTABLE HAND SHOWER WITH TAP
- USB CONNECTION
- 6 SPEED FAN
- TROLLEY NKS201

OPTIONAL - TO BE REQUESTED WHEN ORDERING OVEN

- **SN:** EXTRA CHARGE FOR ENERGY SAVING SYSTEM CONNECTION. ELECTRIC MODELS ONLY
- **NPK:** CONFIGURATION FOR CONNECTION TO EXTRACTION HOOD
- **SSB154:** EXTRA CHARGE FOR TROLLEY NKS154 - PASTRY VERSION - 15 X EN (600 X 400) - ↓ 89
- **SSB201S:** EXTRA CHARGE FOR TROLLEY NKS201S - GASTRONOMY VERSION - 15 X 1/1 GN - ↓ 83
- **LLG:** LONG LIFE GASKET - AUTOMATIC TRACKED FRAME HOLD AND RELEASE
- **DSP:** DISPLAY-CONTROL PANEL PROTECTION
- **MK201B:** MARINE VERSION KIT

EXTRA ACCESSORIES THAT CAN BE INSTALLED FOLLOWING PURCHASE

- **KSC004R:** MULTIPOINT CORE PROBE Ø 3 MM.
 - **KSC180:** MULTIPOINT CORE PROBE FOR LARGE ITEMS Ø 3 MM, PIN LENGTH 180 MM.
 - **KSA001:** NEEDLE CORE PROBE Ø 1 MM.
 - **NFX02:** FAT FILTER - 2 PCS.
 - **NKS201:** TROLLEY WITH DRIP TRAY - MAXIMUM LOAD 90 KG - MAXIMUM LOAD PER TRAY 25 KG
 - **NKS201S:** TROLLEY WITH DRIP TRAY - MAXIMUM LOAD 90 KG - MAXIMUM LOAD PER TRAY 25 KG
 - **NKS154:** TROLLEYS WITH DRIP TRAY - PASTRY VERSION 600 X 400 - MAXIMUM LOAD 90 KG - MAXIMUM LOAD PER TRAY 15 KG
 - **RIC201:** STAINLESS STEEL RAMP FOR TROLLEY INSERTION, HELPS TO EVEN THE FLOORS UP TO 3% OF UNEVENNES
 - **BKC201:** EXTRACTION HOOD WITH AIR-COOLED CONDENSER. AVAILABLE ONLY FOR PREARRANGED OVENS
 - **CCE:** COLLECTOR FOR EXTERNAL CONNECTION - Ø 150 MM
 - **RTP20E:** REGENERATING CABINET
 - **CPD20:** DETERGENT CONTAINER - CAPACITY 2 TANKS OF 10 KG.
 - **SPDP:** DETERGENT CONTAINER - TO BE INSTALLED ON THE WALL - CAPACITY 1 TANK OF 10 KG.
-



A	Technical compartment cooling air intake				
D	Liquid discharge	S4*	Steam generator fumes exhaust		Equipotential connection
E	Electric power supply cable inlet	V	Steam vent and cooking chamber pressure drop safety device		
F	Cooking chamber air intake	W1	Water inlet		
		W2	Softened water inlet		

* For model with steam generator

The data reported in this document is to be considered non-binding. The company reserves the right to make changes at any time, without prior notice

