

F900 SERIES



i91104 / i91105 Induction Ranges
including Offshore Parts

Spares Information



i91104/i91105-Spares-0320

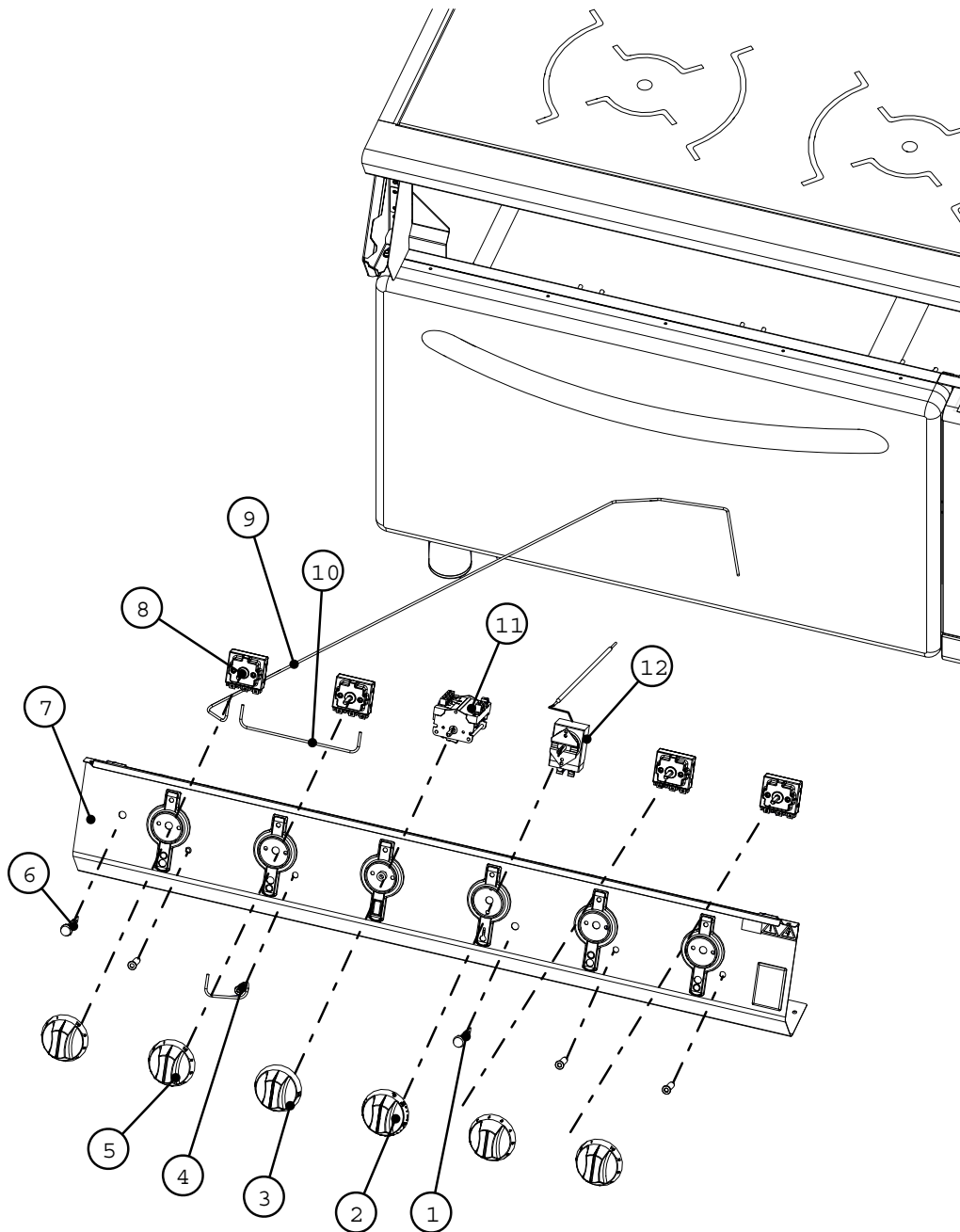
Falcon Foodservice Equipment

Wallace View, Hillfoots Road, Stirling FK9 5PY t: +44 (0) 1786 455 200
info@falconfoodservice.com www.falconfoodservice.com

F900 SERIES

i91104 / i91105 Induction Ranges

Fitments and Controls





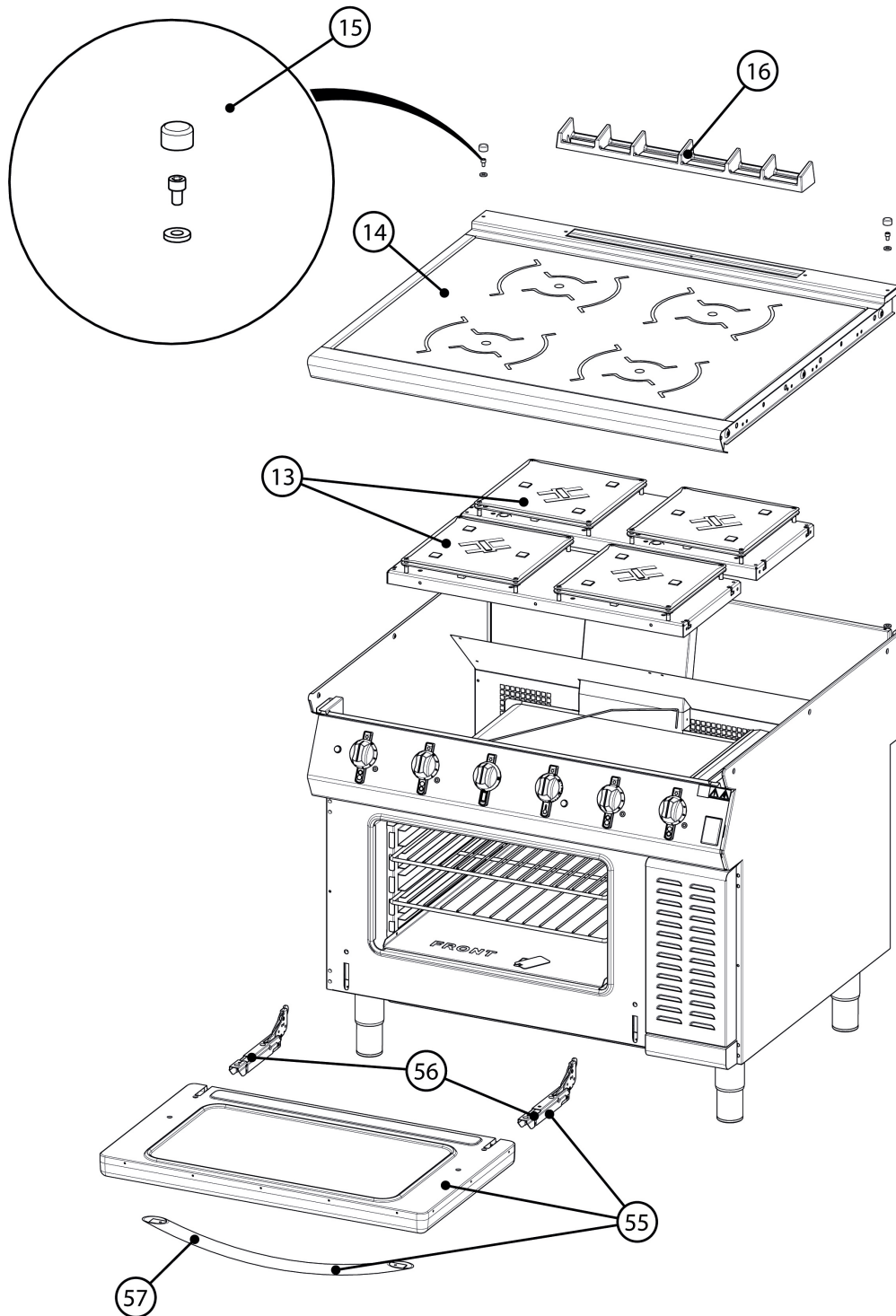
Fitments and Controls

<u>Item</u>	<u>Description</u>	<u>Spares No.</u>	<u>Part No.</u>
1.	Circuit pilot light - amber	730962040	RA9250
2.	Oven temperature control knob	733440000	RA9260
3.	Hob zone control knob	733440001	RA9261
4.	Indicator - green c/w cable	734250017	R6698
5.	Control knob	733920000	RA9135
6.	Mains pilot light - red	730962010	RA9249
7.	Control panel	733940000	690190
8.	LIN switch	734250016	R6697
9.	Generator cable	734250019	R6700
10.	Link cable for LIN switch	734250018	R6699
11.	Oven zone switch	733440002	RJJ23
12.	Oven temperature switch	730962080	RKK4A

F900 SERIES

i91104 / i91105 Induction Ranges

Hob Fitments





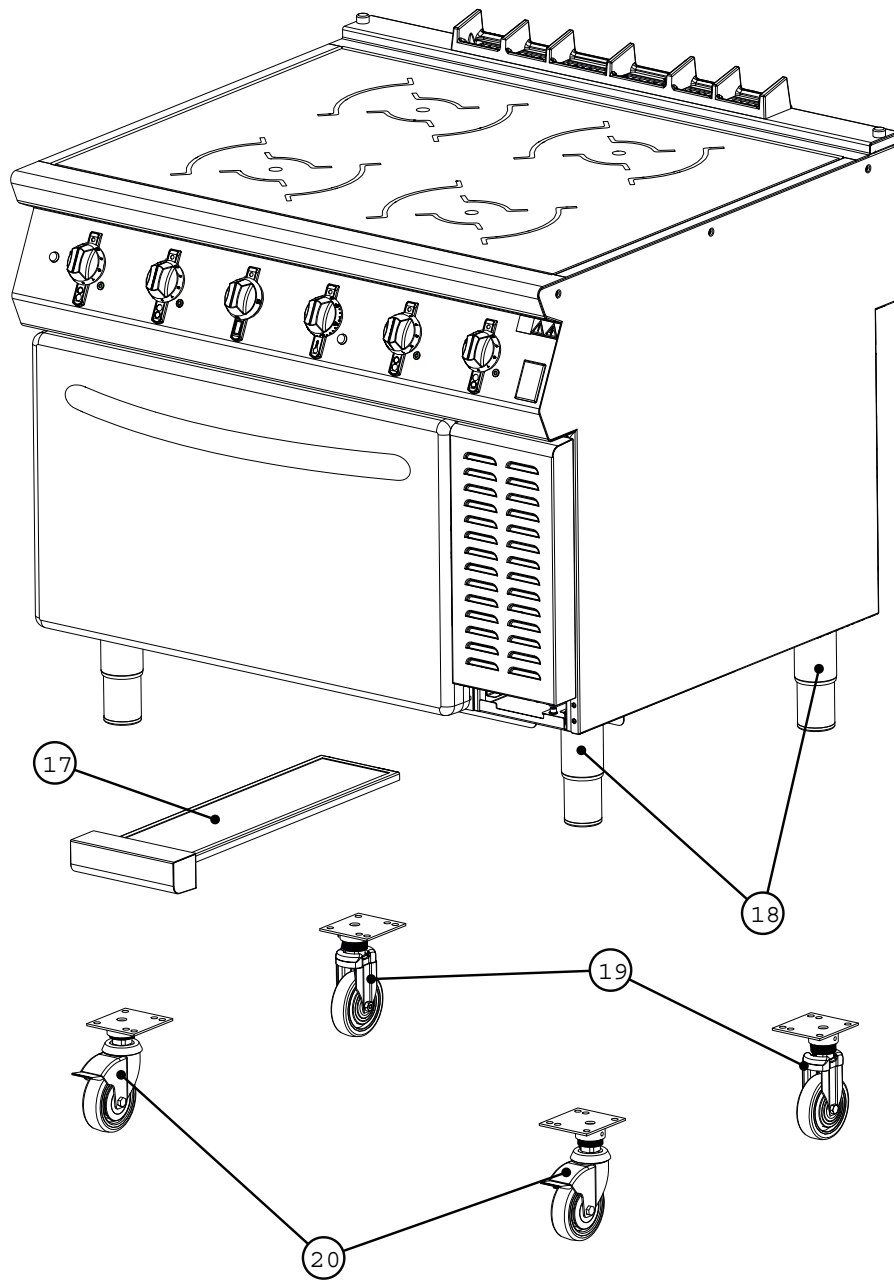
Hob Fitments

<u>Item</u>	<u>Description</u>	<u>Spares No.</u>	<u>Part No.</u>
13.	Induction coil and fix kit	734250002	899347
14.	Induction hob assembly	733940001	T709013
15.	Screw cap kit	533550009	690049
16.	Flue capper - 600mm	533410002	RT704002
55.	Oven door assembly	533450010	RA9216
56.	Door hinge assembly	533450012	690110
57.	Oven door handle	533450011	690109

F900 SERIES

i91104 / i91105 Induction Ranges

Feet / Castors / Filter





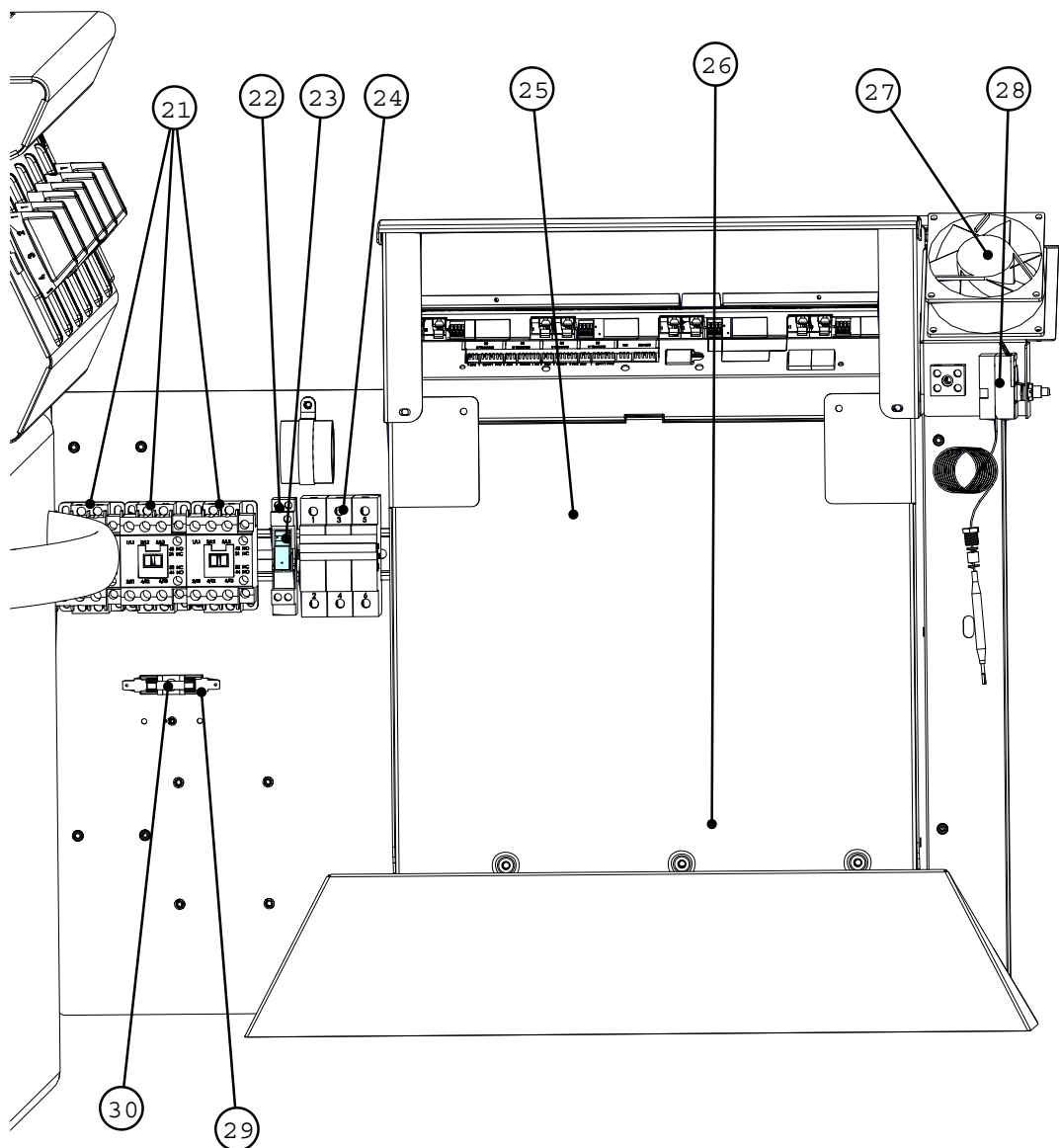
Feet / Castors / Filter

<u>Item</u>	<u>Description</u>	<u>Spares No.</u>	<u>Part No.</u>
17.	Air filter assembly	734260002	R6640
18.	Adjustable leg (stainless steel)	535480067	R6285
19.	Fixed castor (set of 2)	530964340	600284
20.	Swivel castor (set of 2)	535400222	600286

F900 SERIES

i91104 / i91105 Induction Ranges

Electrics





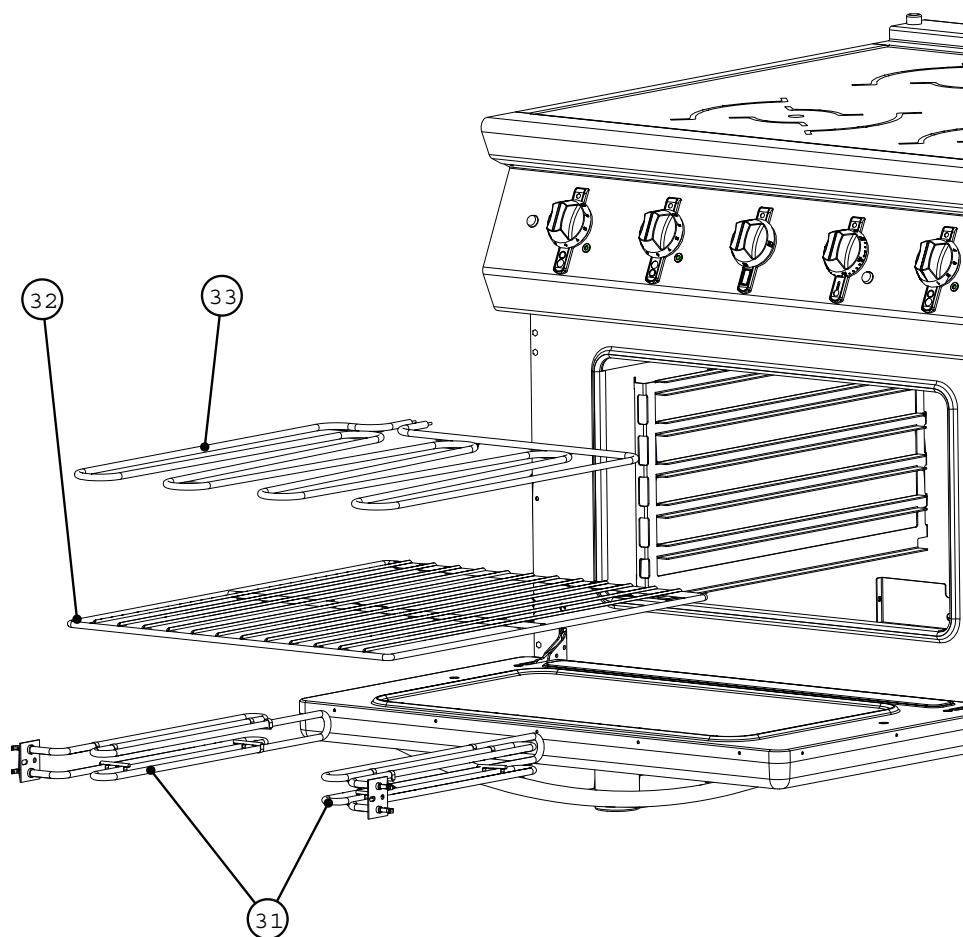
Electrics

<u>Item</u>	<u>Description</u>	<u>Spares No.</u>	<u>Part No.</u>
21.	Contactator MC22B1A1B (230V)	731350070	RV147
22.	Lockout relay base	536430019	R2927
23.	Relay	734060000	R7520
24.	MCB-40A 3P Type D	734250009	R5983
25.	Induction quad generator (20kW)	734250001	R5966
26.	Induction quad generator (14kW)	734250012	R6492
27.	Cooling fan	534500190	R7272
28.	Safety lockout device	733940002	RA9347
29.	Fuse holder	734310510	RFF40
30.	Fuse 2A (anti surge)	734243006	R2292

F900 SERIES

i91104 / i91105 Induction Ranges

Oven Fitments





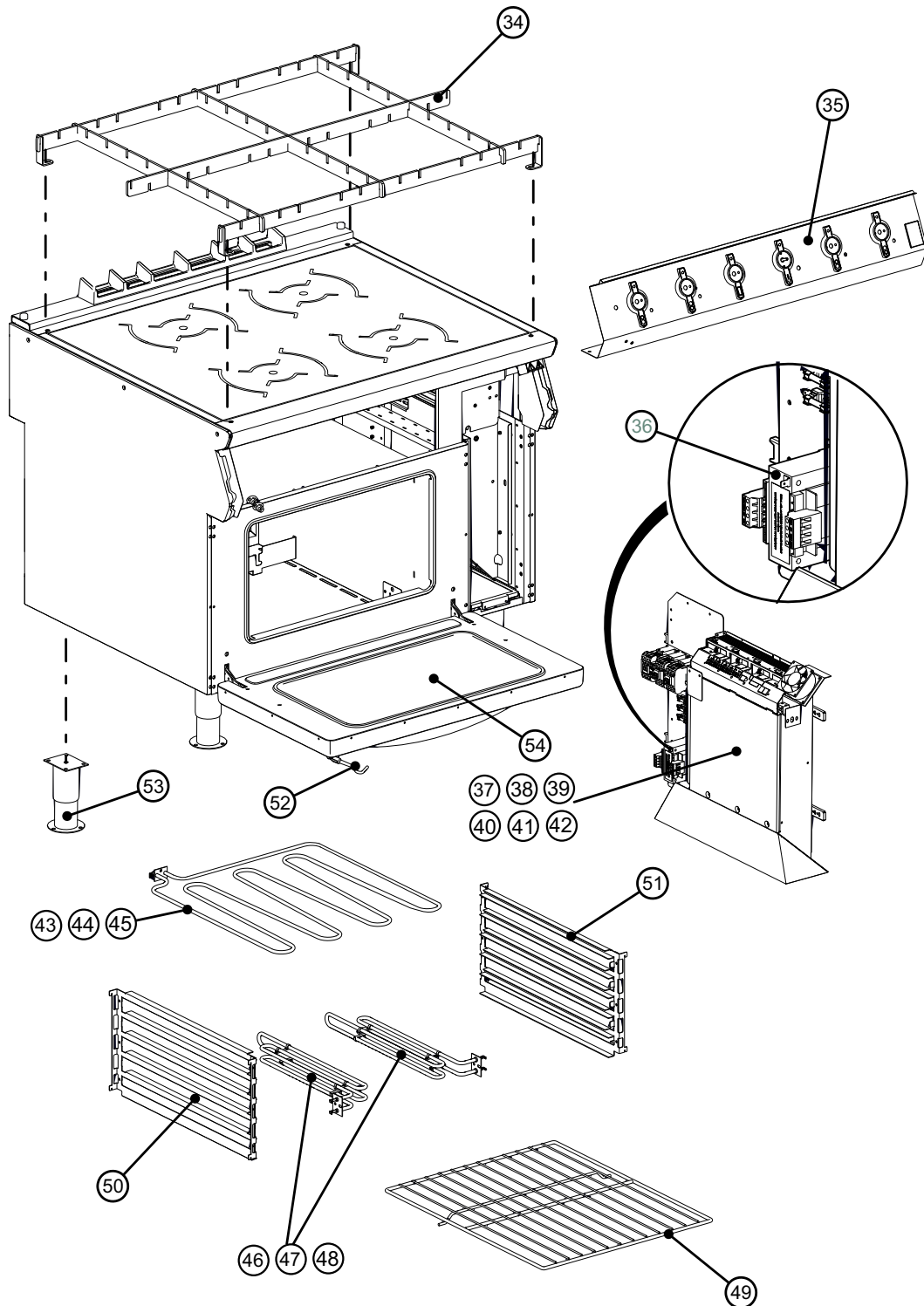
Oven Fitments

<u>Item</u>	<u>Description</u>	<u>Spares No.</u>	<u>Part No.</u>
31.	Oven bottom element	730962060	R6292
32.	Oven shelf	525270000	R6488
33.	Oven top element (230V)	733440003	RA9295

F900 SERIES

i91104 / i91105 Induction Ranges (Offshore)

Unit Spares





Unit Spares

<u>Item</u>	<u>Description</u>	<u>Spares No.</u>	<u>Part No.</u>
34.	Storm rail (four zone)	733940004	690220
35.	Control panel	733940005	690219
36.	Transformer MV150	734060010	R925
37.	Induction quad generator (14kW) 400V 3~	734250012	R6492
38.	Induction quad generator (14kW) 440V 3~	734060006	R927
39.	Induction quad generator (14kW) 440V 3N~	734060006	R927
40.	Induction quad generator (20kW) 400V 3~	734250001	R5966
41.	Induction quad generator (20kW) 440V 3~	734060018	R906
42.	Induction quad generator (20kW) 440V 3N~	734060018	R906
43.	Oven top element (400V 3~)	733440008	RA9309
44.	Oven top element (440V 3~)	733440010	RA9310
45.	Oven top element (440V 3N~)	733940003	RA9308
46.	Oven bottom element (400V 3~)	733440007	R972
47.	Oven bottom element (440V 3~)	730962063	R797A
48.	Oven bottom element (440V 3N~)	731409030	R637A
49.	2/1 locking grid shelf	733440013	RA9332
50.	Shelf hanger (LH)	733440014	690198
51.	Shelf hanger (RH)	733440015	690199
52.	Door catch	733440012	690201
53.	Adjustable foot	730870004	R6624
54.	Oven door	733440011	690193