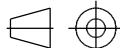


| ITEM | DESCRIPTION | SPARES CODE |
|------|------------------------|-------------|
| 1 | WATER SPOUT | 732150000 |
| 2 | FLUE | 537800002 |
| 3 | BURNER | 537800003 |
| 4 | ROPE SEAL | 537800004 |
| 5 | BURNER BOX | 537800005 |
| 6 | GAS INLET | 537880720 |
| 7 | GAS COUPLING | 531610050 |
| 8 | LIGHTBACK COVER | 537800006 |
| 9 | PAN LIFTING HANDLE | 537800008 |
| 10 | GAS VALVE | 535270011 |
| 11 | CABLE GLAND | 732630040 |
| 12 | PILOT ASSY | 536300048 |
| 13 | CONTROL KNOB (G3800) | 537800011 |
| 14 | CONTROL KNOB (G3800DX) | 537800009 |
| 15 | RESET SWITCH | 535770068 |
| 16 | AMBER NEON | 730962040 |
| 17 | GREEN NEON | 534510270 |
| 18 | RED NEON | 730962010 |
| 19 | OPERATING THERMOSTAT | 537800028 |
| 20 | WATER TAP | 537800007 |
| 21 | 90 DEGREE ELBOW | 536300039 |
| 22 | TILT SWITCH | 531750540 |
| 23 | INCOMING TERMINAL | 731000006 |
| 24 | 2A FUSE | 734243006 |
| 25 | SAFETY STAT | 732150006 |
| 26 | RUBBER O RING | 735820002 |
| 27 | IGNITION BOX | 536300024 |

PRODUCTION ISSUE

| ISSUE | MOD No | ALTERATION | DRAWN BY | DATE |
|-------|--------|------------------------------------|------------|----------|
| | | | | |
| A | 1412 | PRODUCTION RELEASED | P.METCALFE | 03/03/14 |
| B | 7357 | ITEM 27, IGNITION BOX ADDED | S.MOONEY | 17/07/15 |
| C | 7585 | OPERATING THERMOSTAT WAS 731910500 | F.GARVOCK | 25/04/16 |

IF IN DOUBT ASK
DO NOT SCALE
FIRST ANGLE PROJECTION



UNLESS OTHERWISE SPECIFIED:
DIMENSIONS ARE IN MILLIMETERS
TOLERANCES:
LINEAR: ±0.5mm
ANGULAR: ±0.5 DEG

DEBUR AND
BREAK SHARP EDGES

WEIGHT: 24086.26g



DRAWN: P.METCALFE

DATE: 22/04/13

SCALE: 1:10

MATL:

BIN No:

PRODUCT

G3800

TITLE

SPARES - CONTROLS

DRAWING NUMBER

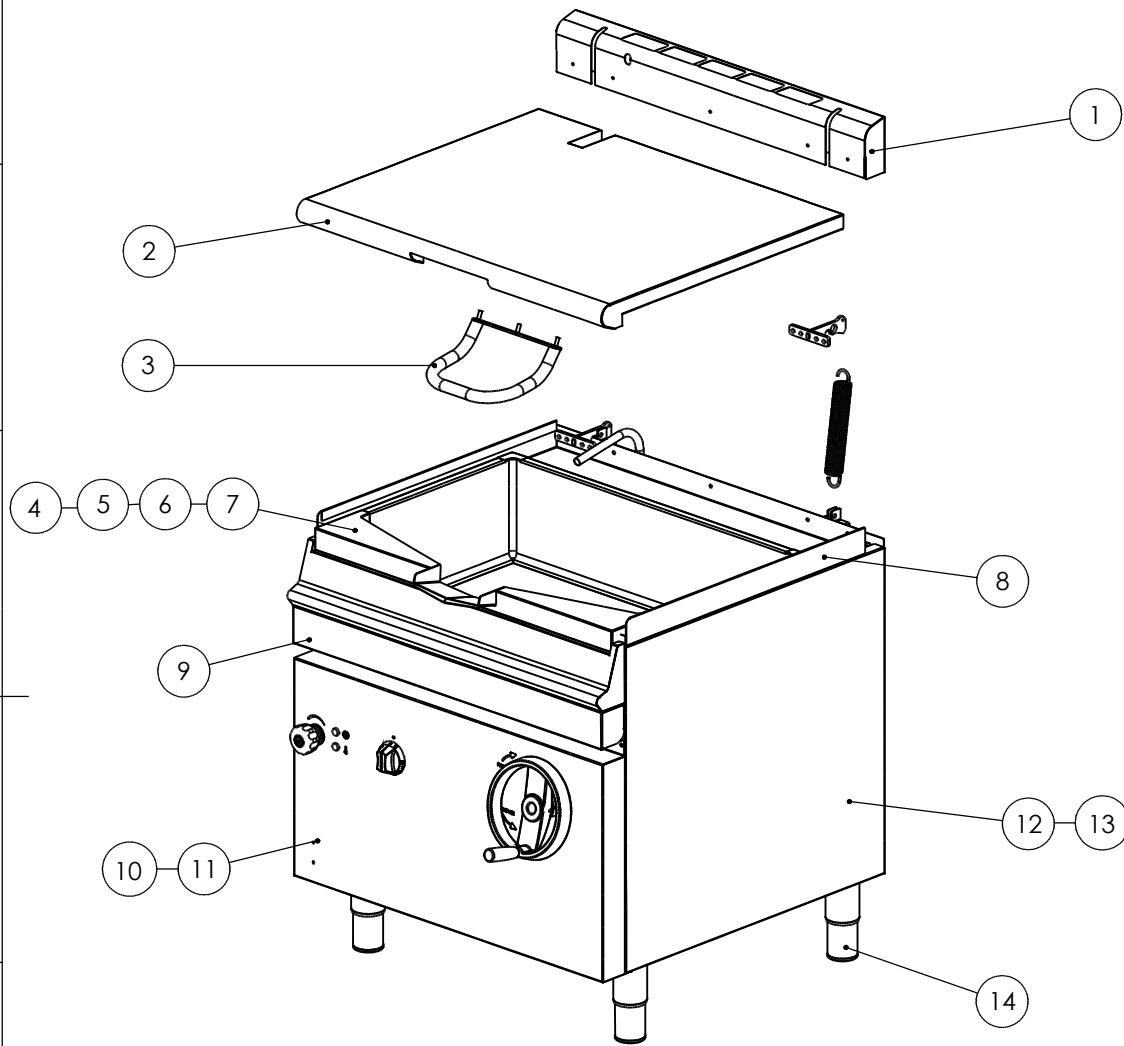
AF50370

ISSUE

C

FINISH:

PART No:



| ITEM | DESCRIPTION | SPARES CODE |
|------|------------------------|-------------|
| 1 | FLUE COVER | 732150009 |
| 2 | LID ASSEMBLY | 732150010 |
| 3 | LID HANDLE | 732150011 |
| 4 | S/S PAN (ELECTRIC) | 732150013 |
| 5 | S/S PAN (GAS) | 537800000 |
| 6 | DUPLEX PAN (ELECTRIC) | 732150021 |
| 7 | DUPLEX PAN (GAS) | 537800010 |
| 8 | TOP SURROUND | 732150014 |
| 9 | FRONT FASCIA | 732150015 |
| 10 | FRONT PANEL (ELECTRIC) | 732150016 |
| 11 | FRONT PANEL (GAS) | 537800001 |
| 12 | SIDE PANEL RH | 732150017 |
| 13 | SIDE PANEL LH | 732150018 |
| 14 | FOOT | 535480067 |
| 15 | CASTOR (SWIVEL) | 530964350 |
| 16 | CASTOR (FIXED) | 535290031 |

PRODUCTION ISSUE

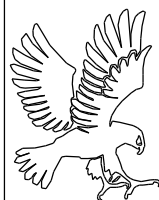
| ISSUE | MOD No | ALTERATION | DRAWN BY | DATE |
|-------|--------|---------------------|------------|----------|
| A | 1412 | PRODUCTION RELEASED | P.METCALFE | 27/02/14 |

IF IN DOUBT ASK
DO NOT SCALE
FIRST ANGLE PROJECTION

UNLESS OTHERWISE SPECIFIED:
DIMENSIONS ARE IN MILLIMETERS
TOLERANCES:
LINEAR: ±0.5mm
ANGULAR: ±0.5 DEG

DEBUR AND
BREAK SHARP EDGES

WEIGHT: 69745.81g



| | | |
|--------------------------|-----------------------------------|----------------|
| DRAWN: P.METCALFE | PRODUCT G&E3800 | |
| DATE: 01/05/13 | TITLE SPARES - FITMENTS | |
| SCALE: 1:20 | DRAWING NUMBER | ISSUE |
| MATL: | FINISH: | AF50369 |
| BIN No: | | |
| | | A |

© NO REPRODUCTION OR PUBLICATION OF THIS DRAWING MAY BE MADE AND NO ARTICLE MAY BE MANUFACTURED OR ASSEMBLED IN ACCORDANCE WITH THIS DRAWING WITHOUT PRIOR WRITTEN CONSENT. THIS PROHIBITION IS A TERM OF ANY CONTRACT RELATING TO THIS DRAWING. RIGHTS RESERVED UNDER THE COPYRIGHT ACT 1956 AS AMENDED BY THE DESIGN COPYRIGHT ACT 1968