


ITEM	DESCRIPTION	SPARES No
1	PLATE/ SPASHGUARD ASSY	535150002
2	HALF RIB PLATE/ SPLASHGUARD ASSY (NOT SHOWN)	535150003
3	CAPPING CHANNEL	535150004
4	HOB ASSEMBLY	535150005
5	FRONT FACIA ASSEMBLY	535150006
6	LOWER CONTROL PANEL	535150007
7	OUTER SIDE LH	535150008
8	OUTER SIDE RH	535150009
9	OUTER BACK	535150010
10	OUTER FLUE	535150011
11	FAT JUG ASSEMBLY	535150012
12	ST/ ST ADJUSTABLE LEG	535150013
13	CONTROL KNOB	535150014
14	ROPE SEAL	535800002

PRODUCTION ISSUE

ISSUE	MOD No	ALTERATION	DRAWN BY	DATE
A	1283/1	PRODUCTION ISSUE	S.MOONEY	18/8/11

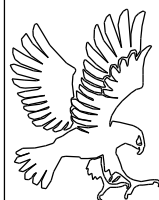
IF IN DOUBT ASK
DO NOT SCALE
FIRST ANGLE PROJECTION



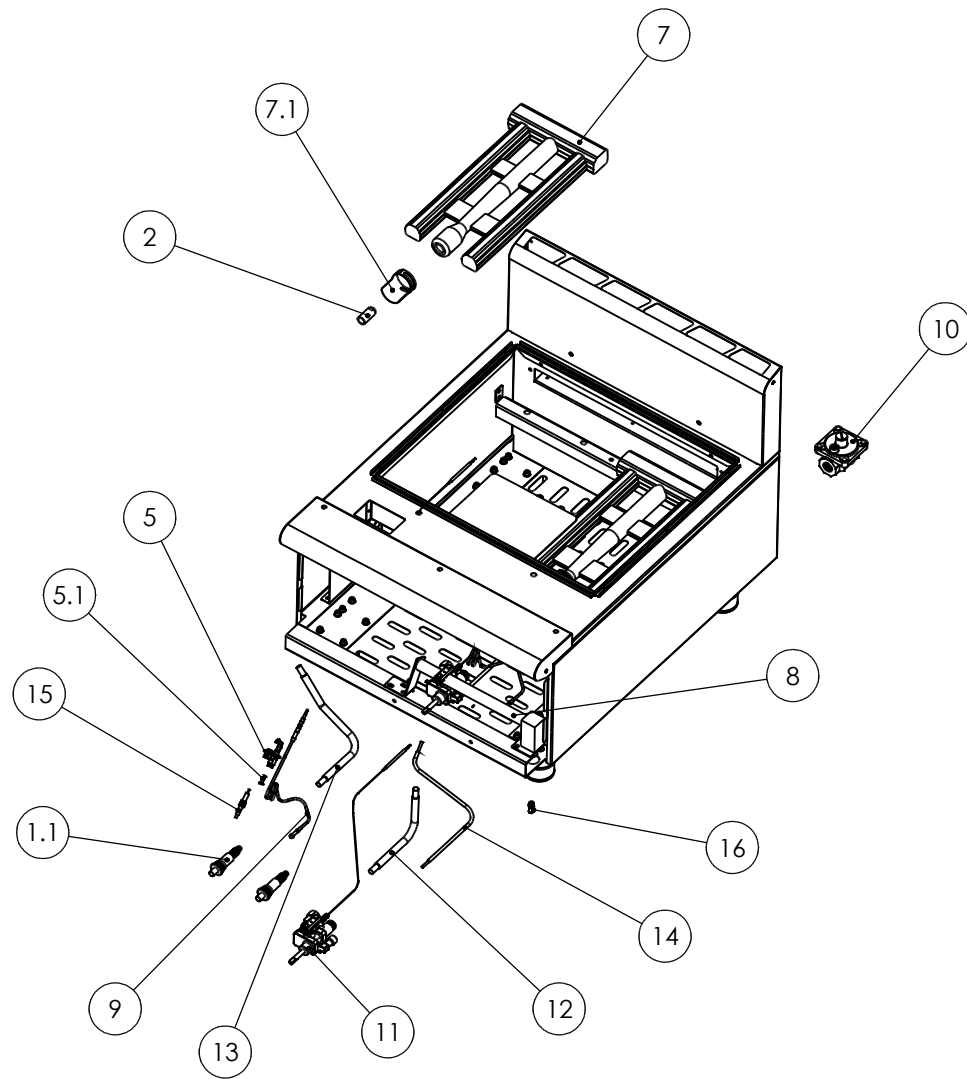
UNLESS OTHERWISE SPECIFIED:
DIMENSIONS ARE IN MILLIMETERS
TOLERANCES:
LINEAR: ±0.5mm
ANGULAR: ±0.5 DEG

DEBUR AND
BREAK SHARP EDGES

WEIGHT: 97853.98g



DRAWN: S.MOONEY	PRODUCT	
DATE: 18/8/11	G3641 GRIDDLE	
SCALE: 1:10	TITLE	
		SPARES - FITMENTS
MATL:	DRAWING NUMBER	ISSUE
THICKNESS:	AD48837	A
BIN No:	PART No:	



ITEM	DESCRIPTION	SPARES No
1	SPARK IGNITER KIT (NOT SHOWN)	535150015
1.1	SPARK IGNITER	535010000
2	BURNER INJECTOR (NAT GAS)	535101042
3	BURNER INJECTOR (PROPANE)(NOT SHOWN)	531560081
4	BURNER INJECTOR HOLDER (PROPANE)(NOT SHOWN)	535820020
5	PILOT BURNER ASSY (NAT GAS)	535100961
5.1	PILOT INJECTOR (NAT GAS)	535820023
6	PILOT BURNER ASSY (PROPANE)(NOT SHOWN)	535100962
6.1	PILOT INJECTOR (PROPANE)(NOT SHOWN)	535820024
7	BURNER ASSEMBLY	535820027
7.1	BURNER AERATION SHROUD	535820028
8	FLOATRAIL ASSEMBLY	535150016
9	THERMOCOUPLE	535820025
10	GAS GOVERNOR (NAT GAS ONLY)	535820026
11	THERMOSTAT VALVE	535150017
12	FLEXI PIPE KIT Ø 10 X 250	535010008
13	FLEXI PIPE KIT Ø 10 X 350	535010009
14	FLEXI PIPE KIT Ø 4 X 400	535010012
15	PILOT ELECTRODE	535100895
16	PRESSURE TEST NIPPLE	535820030

CLEARED FOR PRODUCTION

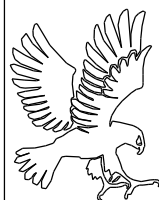
ISSUE	MOD No	ALTERATION	DRAWN BY	DATE
A	1283/1	ISSUED FOR PRODUCTION	S.MOONEY	22/8/11

IF IN DOUBT ASK
DO NOT SCALE
FIRST ANGLE PROJECTION

UNLESS OTHERWISE SPECIFIED:
DIMENSIONS ARE IN MILLIMETERS
TOLERANCES:
LINEAR: ±0.5mm
ANGULAR: ±0.5 DEG

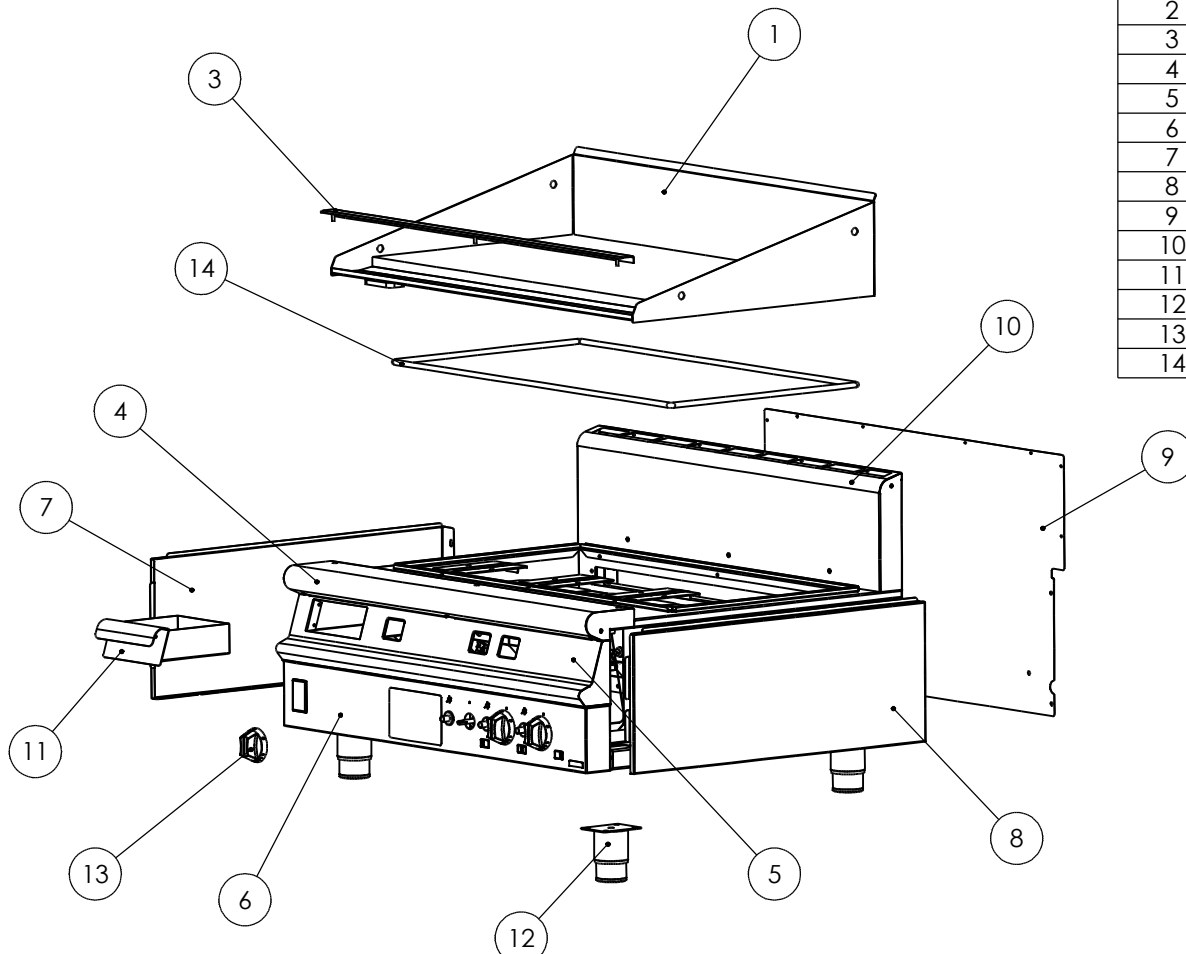
DEBUR AND
BREAK SHARP EDGES

WEIGHT: 48672.98g



DRAWN: S.MOONEY	PRODUCT	
DATE: 22/8/11	G3641 GRIDDLE	
SCALE: 1:10	TITLE	
	SPARES DIAGRAM CONTROLS	
MATL:	DRAWING NUMBER	ISSUE
THICKNESS:	AD48838	A
BIN No:	PART No:	

© NO REPRODUCTION OR PUBLICATION OF THIS DRAWING MAY BE MADE AND NO ARTICLE MAY BE MANUFACTURED OR ASSEMBLED IN ACCORDANCE WITH THIS DRAWING WITHOUT PRIOR WRITTEN CONSENT. THIS PROHIBITION IS A TERM OF ANY CONTRACT RELATING TO THIS DRAWING. RIGHTS RESERVED UNDER THE COPYRIGHT ACT 1956 AS AMENDED BY THE DESIGN COPYRIGHT ACT 1968



ITEM	DESCRIPTION	SPARES No
1	PLATE/ SPASHGUARD ASSY	535160002
2	HALF RIB PLATE/ SPLASHGUARD ASSY(NOT SHOWN)	535160003
3	CAPPING CHANNEL	535160004
4	HOB ASSEMBLY	535160005
5	FRONT FACIA ASSEMBLY	535160006
6	LOWER CONTROL PANEL	535160007
7	OUTER SIDE LH	535150008
8	OUTER SIDE RH	535150009
9	OUTER BACK	535160008
10	OUTER FLUE	535160009
11	FAT JUG ASSEMBLY	535150012
12	ST/ ST ADJUSTABLE LEG	535150013
13	CONTROL KNOB	535150014
14	ROPE SEAL	535810002

CLEARED FOR PRODUCTION

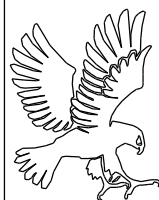
ISSUE	MOD No	ALTERATION	DRAWN BY	DATE
A	1280/2	PRODUCTION ISSUE	S.MOONEY	23/8/11

IF IN DOUBT ASK
DO NOT SCALE
FIRST ANGLE PROJECTION

UNLESS OTHERWISE SPECIFIED:
DIMENSIONS ARE IN MILLIMETERS
TOLERANCES:
LINEAR: ±0.5mm
ANGULAR: ±0.5 DEG

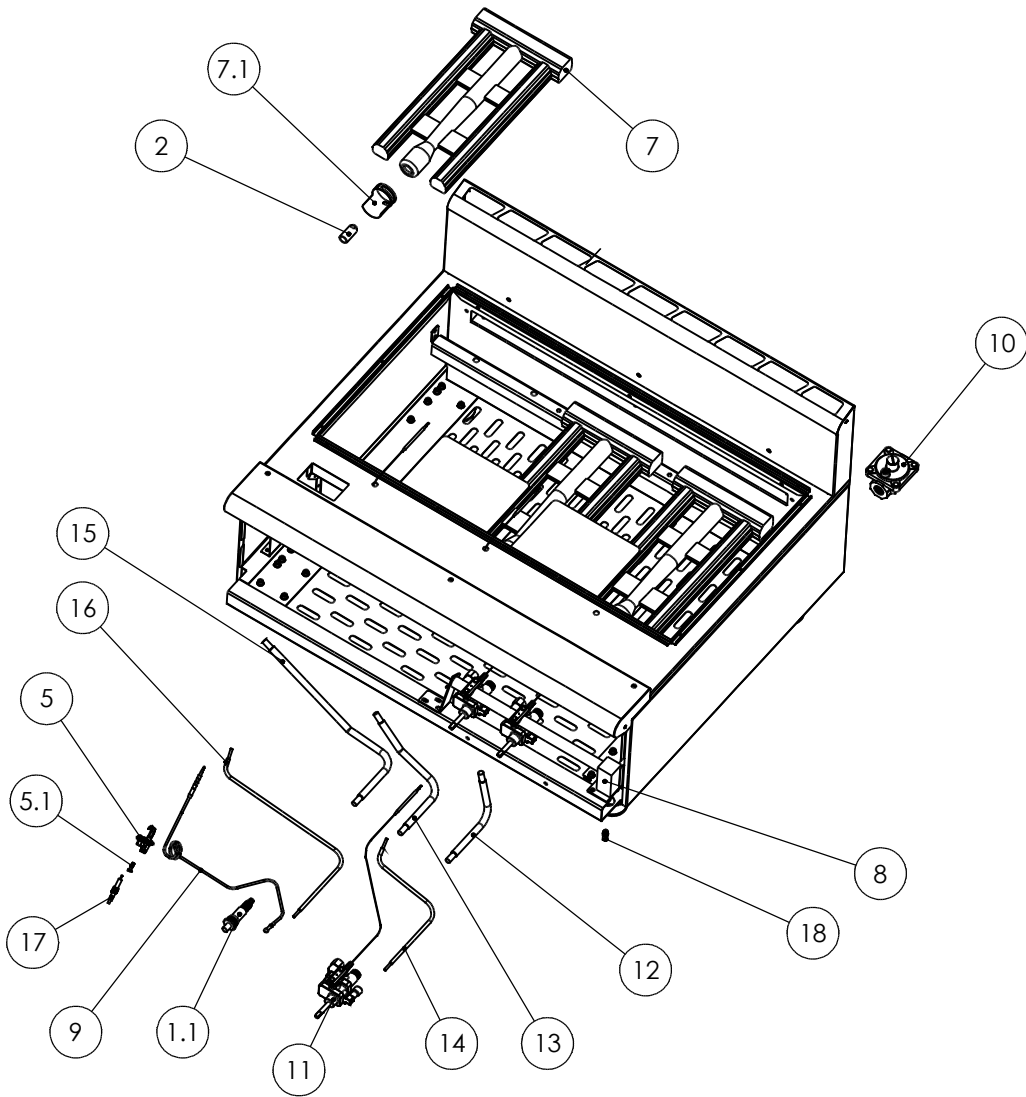
DEBUR AND
BREAK SHARP EDGES

WEIGHT: 136907.93g



DRAWN: S.MOONEY	PRODUCT		G3941 GRIDDLE
DATE: 23/8/11	TITLE		
SCALE: 1:10	SPARES - FITMENTS		
MATL:	DRAWING NUMBER	ISSUE	
THICKNESS:	FINISH:	AD48839	A
BIN No:	PART No:		

© NO REPRODUCTION OR PUBLICATION OF THIS DRAWING MAY BE MADE AND NO ARTICLE MAY BE MANUFACTURED OR ASSEMBLED IN ACCORDANCE WITH THIS DRAWING WITHOUT PRIOR WRITTEN CONSENT. THIS PROHIBITION IS A TERM OF ANY CONTRACT RELATING TO THIS DRAWING. RIGHTS RESERVED UNDER THE COPYRIGHT ACT 1956 AS AMENDED BY THE DESIGN COPYRIGHT ACT 1968



ITEM	DESCRIPTION	SPARES No
1	SPARK IGNITER KIT (NOT SHOWN)	535150015
1.1	SPARK IGNITER x3	535010000
2	BURNER INJECTOR (NAT GAS)	535101042
3	BURNER INJECTOR (PROPANE)(NOT SHOWN)	531560081
4	BURNER INJECTOR HOLDER (PROPANE)(NOT SHOWN)	535820020
5	PILOT BURNER ASSY (NAT GAS) x3	535100961
5.1	PILOT INJECTOR (NAT GAS) x3	535820023
6	PILOT BURNER ASSY (PROPANE)(NOT SHOWN)	535100962
6.1	PILOT INJECTOR (PROPANE)(NOT SHOWN)	535820024
7	BURNER ASSEMBLY	535820027
7.1	BURNER AERATION SHROUD	535820028
8	FLOATRAIL ASSEMBLY	535160016
9	THERMOCOUPLE	535820025
10	GAS GOVERNOR (NAT GAS ONLY)	535820026
11	THERMOSTAT VALVE	535150017
12	FLEXI PIPE KIT Ø 10 X 250	535010008
13	FLEXI PIPE KIT Ø 10 X 350	535010009
14	FLEXI PIPE KIT Ø 4 X 400 x2	535010012
15	FLEXI PIPE KIT Ø 10 X 500	535010010
16	FLEXI PIPE KIT Ø 4 X 565	535010011
17	PILOT ELECTRODE x3	535100895
18	PRESSURE TEST NIPPLE	535820030

CLEARED FOR PRODUCTION

ISSUE	MOD No	ALTERATION	DRAWN BY	DATE
A	1280/2	PRODUCTION ISSUE	S.MOONEY	24/8/11

IF IN DOUBT ASK
DO NOT SCALE
FIRST ANGLE PROJECTION

UNLESS OTHERWISE SPECIFIED:
DIMENSIONS ARE IN MILLIMETERS
TOLERANCES:
LINEAR: ±0.5mm
ANGULAR: ±0.5 DEG

DEBUR AND
BREAK SHARP EDGES

WEIGHT: 66484.56g



DRAWN: S.MOONEY	PRODUCT	
DATE: 24/8/11	G3941 GRIDDLE	
SCALE: 1:10	TITLE	
	SPARES - CONTROLS	
MATL:	DRAWING NUMBER	ISSUE
THICKNESS:	AD48840	A
BIN No:	PART No:	