



## **DOMINATOR***PLUS*

# *G3122 Two Burner Boiling Top*

### Key features

- Energy efficient, high performance 5.3kW burners
  - Quick heat up, reduced waiting time
- Semi-sealed, pressed stainless steel hob
  - Easy to remove and keep clean
- Single cast iron pan support
  - Long-lasting and robust
- Mounted upon open stand
  - Under shelf provides useful storage space
- Laser-etched control icons
  - Permanent, indelible markings

### Accessories

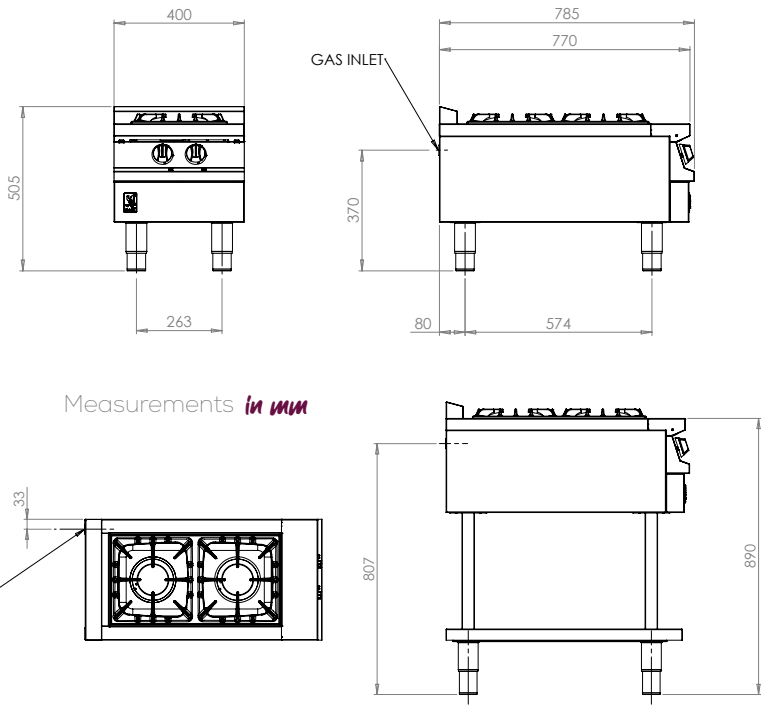
- Fully integrated extended flue
- Fixed stand
- Factory fitted, adjustable castors
- Fixed installation kit



### Similar Models

- G9042 Two burner boiling top
- G3124 Four burner boiling top
- E3122 Two hotplate boiling top
- E3902i Two zone induction boiling top

# Two Burner Gas Boiling Top



Measurements *in mm*

Unit on castors is the same hob height

## Installation notes

Adequate ventilation must be provided to supply sufficient fresh air for combustion and to allow easy removal of any such products that may present a risk to health. Please consult current legislation for details that relate to specific locations.

Install unit on a level, fireproof surface in a well-lit, draught free position. If floor is made of a combustible material, local fire requirements must be checked to ensure compliance.

A clearance of 150mm should be observed between appliance and any combustible wall.

## Specification *details*

|   |                  |               |
|---|------------------|---------------|
| Total rating (natural and propane - kW - Nett)      | 10.6             |               |
| Total rating (natural and propane - btu/hr - gross) | 39,800           |               |
| Inlet size (natural and propane)                    | 3/4" BSP         |               |
| Flow rate - natural (m <sup>3</sup> /hr)            | 0.82             |               |
| Flow rate - propane (kg/hr)                         | 1.11             |               |
| Inlet pressure (natural and propane - mbar)         | 20 / 37          |               |
| Operating pressure (natural and propane - mbar)     | 15 / 37          |               |
| Hob burner rating * (natural and propane - kW)      | 5.3 x 2          |               |
| Hob burner rating * (natural and propane - btu/hr)  | 19,900 x 2       |               |
| Weight (kg)   | 28.5             |               |
| Packed weight (kg)                                  | 34               |               |
| Packed dimensions (w x d x h - mm)                  | 400 x 1000 x 500 |               |
| GTIN numbers  | Nat Gas          | LPG           |
|   | 5056466901448    | 5056466901431 |

