

ITEM	DESCRIPTION	SPARES No
		G3106
1	O/T BURNER ASSEMBLY COMPLETE	535290006
1.1	O/T BURNER CAP ASSEMBLY	535290000
1.2	O/T BURNER BASE	535290001
1.3	O/T INJECTOR HOLDER NAT GAS & PROPANE	535290003
1.3.1	O/T 1.93 NAT GAS INJECTOR	535290004
1.3.2	O/T 1.2 PROPANE INJECTOR	535290005
1.3.3	8mm OLIVE	535480027
1.3.4	TUBE NUT	535480028
2	HOB PANEL	535400150
3	O/T BURNER SUPPORT BAR	535290002
4	O/T REAR THERMOCOUPLE	535480012
5	O/T FRONT THERMOCOUPLE	535480011
6	O/T FRONT FLEXI PIPE C/W OLIVES	535400045
7	O/T REAR FLEXI PIPE C/W OLIVES	535400055
8	O/T CONTROL VALVE NAT GAS & PROPANE	535200021
8.1	8MM OLIVE	535480027
8.2	TUBE NUT	535290007
8.3	NAT GAS BYPASS SCREW (76)	535290008
8.4	PROPANE BYPASS SCREW (51)	535290009
9	FLOAT RAIL	535270010
10	VALVE FLEXI PIPE C/W OLIVES	535010010
11	VALVE PIPE COUPLING	534100061
12	OVEN GAS VALVE NAT GAS & PROPANE	535270011
13	OVEN FLEXI PIPE C/W OLIVES	535101027
14	OVEN PIPE COUPLING	535270012
15	REDUCER	535500027
16	PILOT BRACKET	535270013
17	OVEN BURNER INJECTOR NAT GAS	535270014
18	OVEN BURNER INJECTOR PROPANE	535270015
19	OVEN BURNER	535270016
20	PILOT FLEXI PIPE C/W OLIVES	535270017
21	PILOT C/W ELECTRODE & SENSOR NG & PROP	535270018
21.1	ELECTRODE	535270019
21.2	SENSOR	535270020
21.3	PILOT INJECTOR NAT GAS - G31.2	535000013
21.4	PILOT INJECTOR PROPANE - G25.1	535010032
22	PILOT ELECTRODE LEAD (NOT SHOWN)	535270021
23	PILOT SENSOR LEAD (NOT SHOWN)	535270022
24	PILOT EARTH LEAD (NOT SHOWN)	535270023
25	GOVERNOR	535480015
26	3/4" FITTING	535480016
	CONVERSION KIT NAT GAS TO PROPANE	535270024
	CONVERSION PROPANE TO NAT GAS	535270025

# PRODUCTION ISSUE

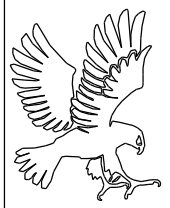
ISSUE	MOD No	ALTERATION	DRAWN BY	DATE
A	1372/2	PRODUCTION ISSUE	I.JAMES	21/01/13

IF IN DOUBT ASK  
DO NOT SCALE  
FIRST ANGLE PROJECTION

UNLESS OTHERWISE SPECIFIED:  
DIMENSIONS ARE IN MILLIMETERS  
TOLERANCES:  
LINEAR: ±0.5mm  
ANGULAR: ±0.5 DEG

DEBUR AND  
BREAK SHARP EDGES

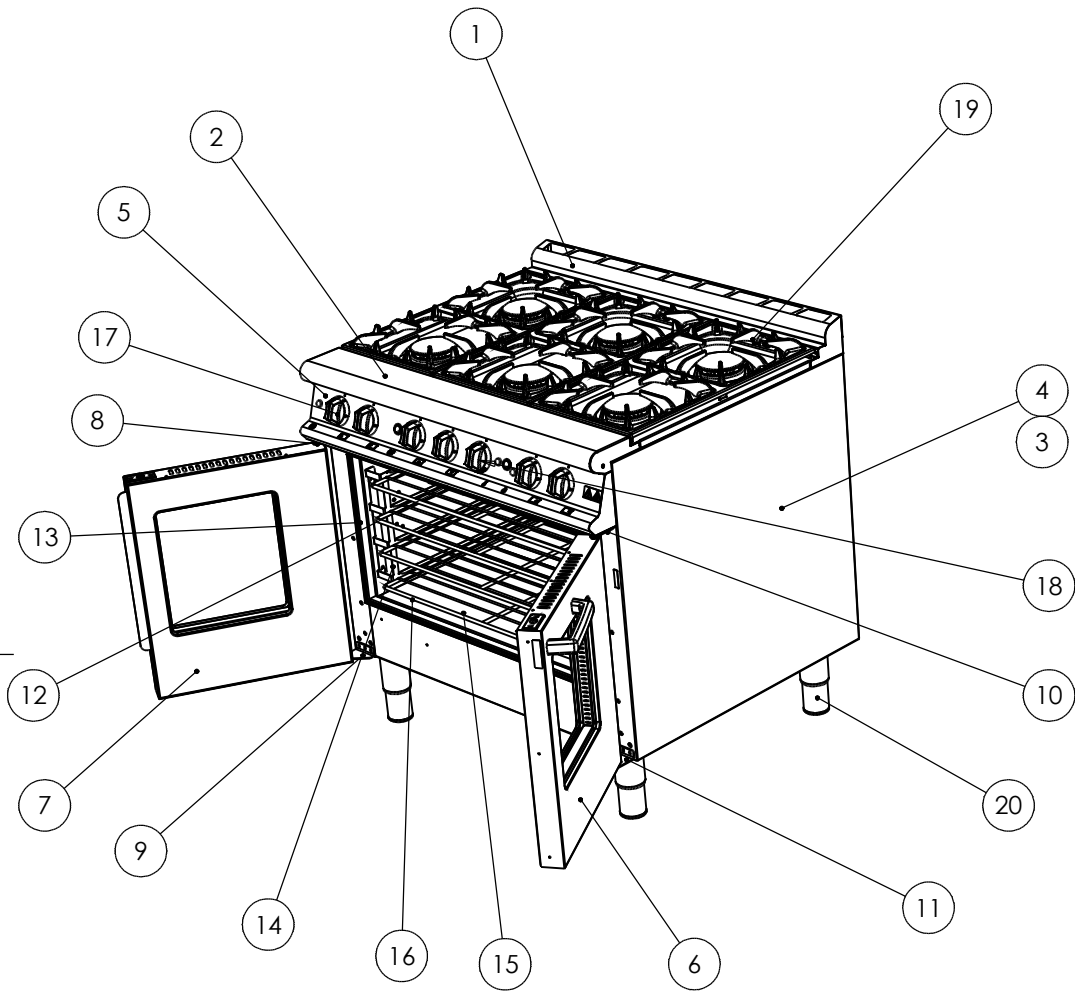
WEIGHT: 204158.03g



DRAWN: I.JAMES
DATE: 17/09/12
SCALE: 1:7.5
MATL: N/A
THICKNESS: N/A
BIN No:

PRODUCT <b>G3106 CONVECTION RANGE</b>	
TITLE <b>G3106 SPARES - CONTROLS</b>	
DRAWING NUMBER	ISSUE
<b>AA49909</b>	<b>A</b>
PART No:	

NO REPRODUCTION OR PUBLICATION OF THIS DRAWING MAY BE MADE AND NO ARTICLE MAY BE MANUFACTURED OR ASSEMBLED IN ACCORDANCE WITH THIS DRAWING WITHOUT PRIOR WRITTEN CONSENT. THIS PROHIBITION IS A TERM OF ANY CONTRACT RELATING TO THIS DRAWING. RIGHTS RESERVED UNDER THE COPYRIGHT ACT 1956 AS AMENDED BY THE DESIGN COPYRIGHT ACT 1968



		6	7	8
ITEM	DESCRIPTION	G3106		
1	REAR HOB RAIL	SPARES No		
2	FRONT HOB RAIL	535290017		
3	FRONT HOB RAIL	535290018		
3	RH OUTER SIDE PANEL	535270000		
4	LH OUTER SIDE PANEL	535270001		
5	CONTROL PANEL	535270002		
6	RH DOOR ASSEMBLY	535270003		
6.1	DOOR HANDLE	535290022		
6.2	DOOR CATCH	535480054		
6.3	DOOR HINGE BUSH	535480077		
7	LH DOOR ASSEMBLY	535270004		
7.1	DOOR HANDLE	535290022		
7.2	DOOR CATCH	535480054		
7.2	DOOR HINGE BUSH	535480077		
8	TOP DOOR HINGE - LH	535200006		
9	BOTTOM DOOR HINGE - LH	535200007		
10	TOP DOOR HINGE - RH	535200008		
11	BOTTOM DOOR HINGE - RH	535200009		
12	DOOR CATCH KEEPER	535200013		
13	DOOR SEAL	535270005		
14	OVEN SHELF HANGER	535270006		
15	OVEN SHELF	535270007		
16	OVEN BASE TRAY	535270008		
17	O/T - CONTROL KNOB	535290025		
18	OVEN CONTROL KNOB	535270009		
19	PAN SUPPORT	535290027		
20	ADJUSTABLE FOOT	535290028		
21	REAR FIXED CASTOR (NOT SHOWN)	534103055		
22	FRONT SWIVEL CASTOR (NOT SHOWN)	530964350		

# PRODUCTION ISSUE

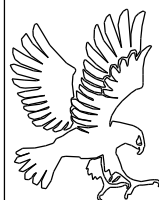
ISSUE	MOD No	ALTERATION	DRAWN BY	DATE
A	1372/2	PRODUCTION ISSUE	I.JAMES	21/01/13

IF IN DOUBT ASK  
DO NOT SCALE  
FIRST ANGLE PROJECTION

UNLESS OTHERWISE SPECIFIED:  
DIMENSIONS ARE IN MILLIMETERS  
TOLERANCES:  
LINEAR: ±0.5mm  
ANGULAR: ±0.5 DEG

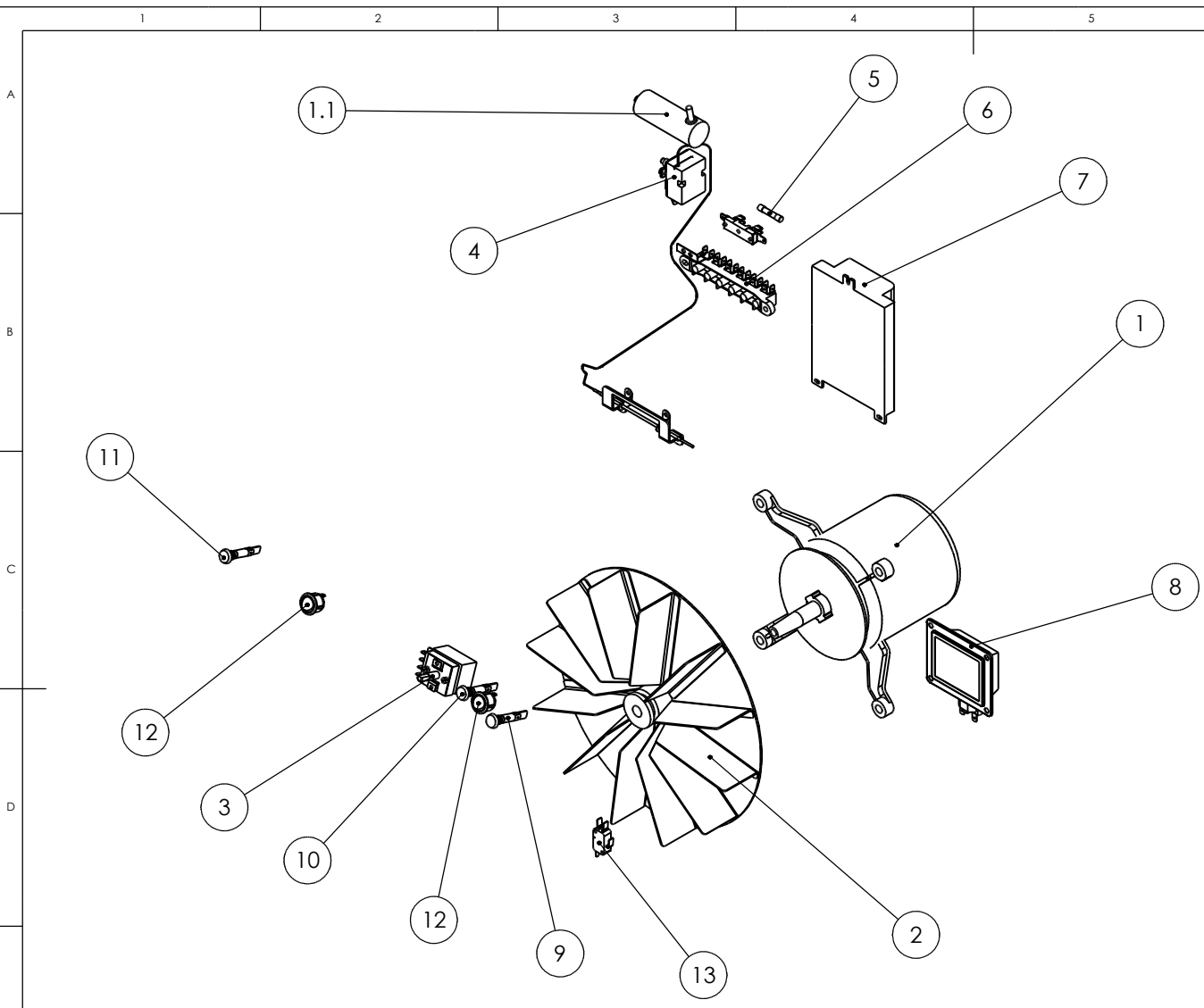
DEBUR AND  
BREAK SHARP EDGES

WEIGHT: 204167.62g



DRAWN: <b>I.JAMES</b>	PRODUCT <b>G3106 CONVECTION RANGE</b>	
DATE: <b>14/09/12</b>	TITLE <b>G3106 SPARES- FITMENTS</b>	
SCALE: <b>1:10</b>	DRAWING NUMBER	ISSUE
MATL: <b>N/A</b>	<b>AA49910</b>	<b>A</b>
THICKNESS: <b>N/A</b>	FINISH:	PART No:
BIN No:		

© NO REPRODUCTION OR PUBLICATION OF THIS DRAWING MAY BE MADE AND NO ARTICLE MAY BE MANUFACTURED OR ASSEMBLED IN ACCORDANCE WITH THIS DRAWING WITHOUT PRIOR WRITTEN CONSENT. THIS PROHIBITION IS A TERM OF ANY CONTRACT RELATING TO THIS DRAWING. RIGHTS RESERVED UNDER THE COPYRIGHT ACT 1956 AS AMENDED BY THE DESIGN COPYRIGHT ACT 1968



		6	7	8
ITEM	DESCRIPTION	G3106		
1	FAN MOTOR	SPARES No		
	1.1 FAN MOTOR CAPACITOR	535270026		
2	FAN IMPELLER	535270027		
3	OVEN THERMOSTAT C/W FAN SWITCH	535420006		
4	OVEN SAFETY THERMOSTAT	535270030		
5	FUSE 5A ANTI-SURGE	536430009		
6	INCOMING TERMINAL BLOCK	731000006		
7	IGNITION BOX	536300024		
8	OVEN LAMP ASSY C/W BULB	535270028		
	8.1 LAMP BULB	734350190		
9	AMBER NEON	531740440		
10	GREEN NEON	534510270		
11	RED NEON	531740450		
12	LIGHT/ RESET SWITCH	535770068		
13	DOOR MICRO SWITCH	531740480		

# PRODUCTION ISSUE

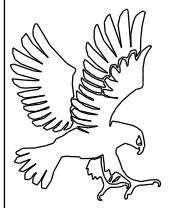
ISSUE	MOD No	ALTERATION	DRAWN BY	DATE
A	1372/2	PRODUCTION ISSUE	I.JAMES	21/01/13

IF IN DOUBT ASK  
DO NOT SCALE  
FIRST ANGLE PROJECTION

UNLESS OTHERWISE SPECIFIED:  
DIMENSIONS ARE IN MILLIMETERS  
TOLERANCES:  
LINEAR: ±0.5mm  
ANGULAR: ±0.5 DEG

DEBUR AND  
BREAK SHARP EDGES

WEIGHT: 2041.64g



DRAWN: <b>I.JAMES</b>	PRODUCT	<b>G3106 CONVECTION RANGE</b>	
DATE: <b>18/09/12</b>	TITLE	<b>G3106 SPARES - ELECTRICS</b>	
SCALE: <b>1:5</b>	DRAWING NUMBER	<b>AA49911</b>	ISSUE
MATL: <b>N/A</b>	FINISH:		<b>A</b>
THICKNESS: <b>N/A</b>	PART No:		
BIN No:			

© NO REPRODUCTION OR PUBLICATION OF THIS DRAWING MAY BE MADE AND NO ARTICLE MAY BE MANUFACTURED OR ASSEMBLED IN ACCORDANCE WITH THIS DRAWING WITHOUT PRIOR WRITTEN CONSENT. THIS PROHIBITION IS A TERM OF ANY CONTRACT RELATING TO THIS DRAWING. RIGHTS RESERVED UNDER THE COPYRIGHT ACT 1956 AS AMENDED BY THE DESIGN COPYRIGHT ACT 1968