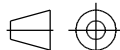


ITEM	DESCRIPTION	SPARES No.
1	REAR HOB RAIL	535480046
2	HOB OUTER SIDE PANEL	535500000
3a	LH OUTER SIDE PANEL	531740190
3b	RH OUTER SIDE PANEL	531740180
4	RH TOP HINGE	535500010
5	DOOR BUSH	537101290
6	RH INNER DOOR	535500016
7	DOOR CATCH ASSEMBLY	534100090
8	RH BOTTOM DOOR HINGE	535500011
9	RH OUTER DOOR	535500017
9a	RH DOOR ASSEMBLY	535500006
10	OVEN CONTROL PANEL	535500004
11	BOTOM COVER PANEL	535500005
12	VERTICAL DOOR SEAL TRIM	531740290
13	HORIZONTAL DOOR SEAL TRIM	531740270
14	DOOR SEALS & CLIPS SET	531740302
15	DOOR SEALS & TRIMS SET	531740303
16	LH BOTOM DOOR HINGE	535500008
17	DOOR HANDLE c/w fixings	535480055
18	LH OUTER DOOR	535500018
18a	LH DOOR ASSEMBLY	535500007
19	DOOR INSULATION SET	535500012
20	DOOR GLASS SET	535300007
21	GLASS SEAL (not illustrated)	735400650
22	DOOR GLASS SPACER	535500014
23	LH INNER DOOR	535500015
24	LH TOP DOOR HINGE	535500009
25	CONTROL PANEL	535500001
26	FRONT HOB RAIL	535480047
27	DOOR CATCH BRACKET	531740066
28	PAN SUPPORT	535290027

PRODUCTION ISSUE

ISSUE	MOD No	ALTERATION	DRAWN BY	DATE
A	8079	PRODUCTION ISSUE	F.GARVOCK	29/03/18

IF IN DOUBT ASK
DO NOT SCALE
FIRST ANGLE PROJECTION



UNLESS OTHERWISE SPECIFIED:
DIMENSIONS ARE IN MILLIMETERS
TOLERANCES:
LINEAR: ±0.5mm
ANGULAR: ±0.5 DEG

DEBUR AND
BREAK SHARP EDGES

WEIGHT: 343115.88g



DRAWN: **F.GARVOCK**

DATE: **16/03/18**

SCALE: **1:15**

MATL:

THICKNESS:

PRODUCT

G2102 CONVECTION OVEN

TITLE

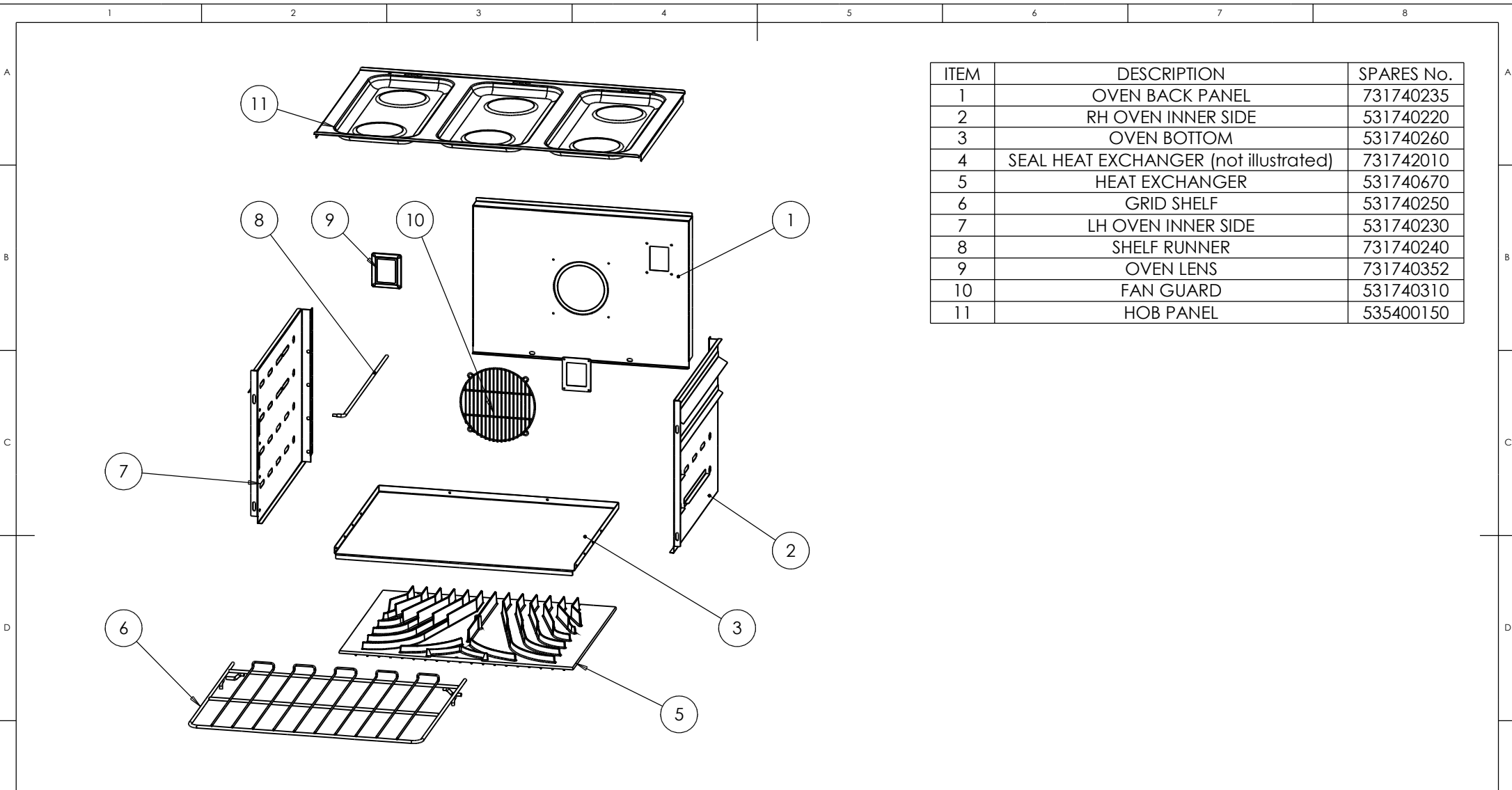
SPARES - OUTER PANELS & DOORS

DRAWING NUMBER

AA55085

ISSUE

A



ITEM	DESCRIPTION	SPARES No.
1	OVEN BACK PANEL	731740235
2	RH OVEN INNER SIDE	531740220
3	OVEN BOTTOM	531740260
4	SEAL HEAT EXCHANGER (not illustrated)	731742010
5	HEAT EXCHANGER	531740670
6	GRID SHELF	531740250
7	LH OVEN INNER SIDE	531740230
8	SHELF RUNNER	731740240
9	OVEN LENS	731740352
10	FAN GUARD	531740310
11	HOB PANEL	535400150

PRODUCTION ISSUE

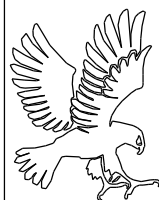
ISSUE	MOD No	ALTERATION	DRAWN BY	DATE
A	8079	PRODUCTION ISSUE	F.GARVOCK	29/03/18

IF IN DOUBT ASK
DO NOT SCALE
FIRST ANGLE PROJECTION

UNLESS OTHERWISE SPECIFIED:
DIMENSIONS ARE IN MILLIMETERS
TOLERANCES:
LINEAR: ±0.5mm
ANGULAR: ±0.5 DEG

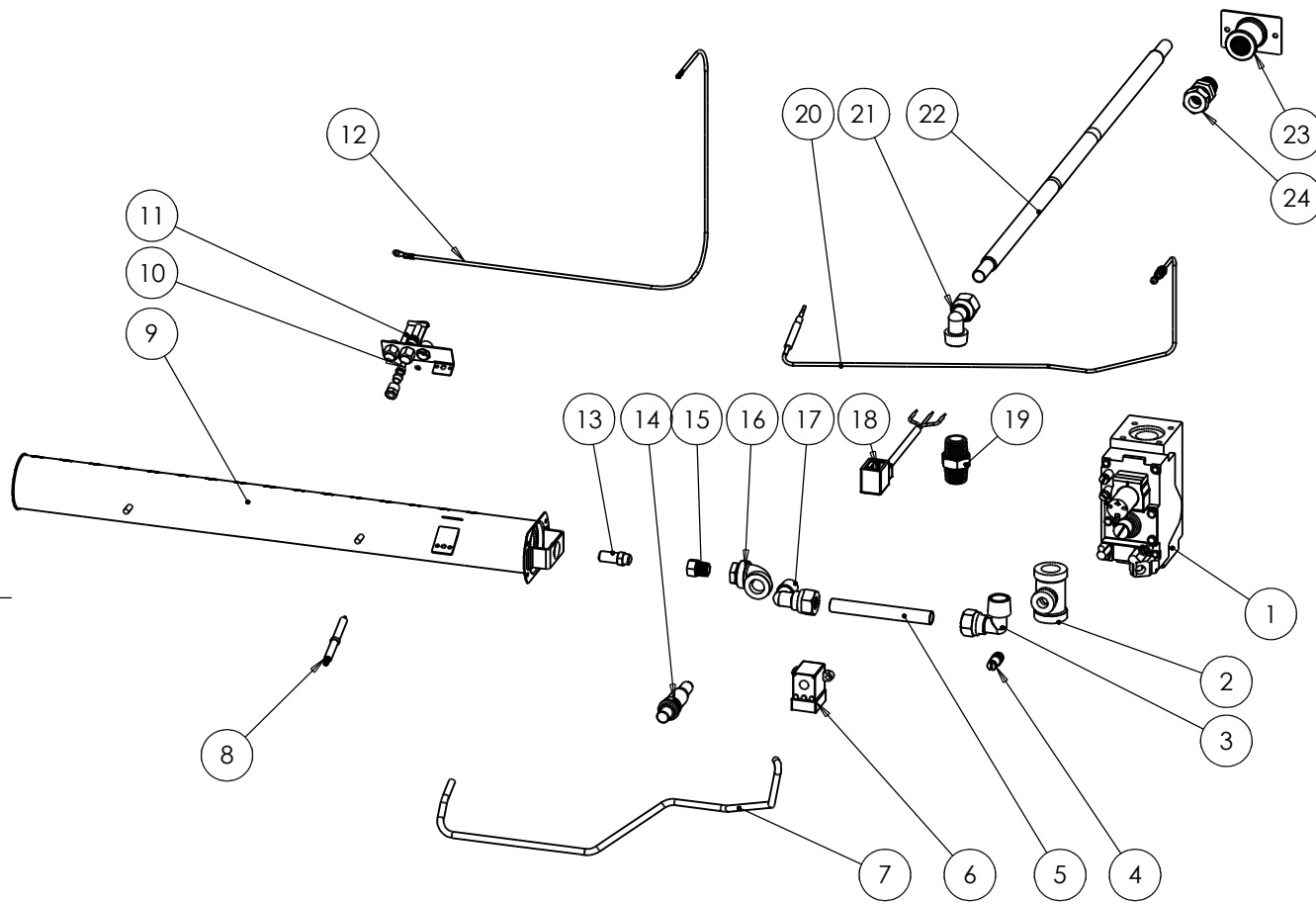
DEBUR AND
BREAK SHARP EDGES

WEIGHT: 331.591.52g



DRAWN: F.GARVOCK	PRODUCT G2102 CONVECTION OVEN	
DATE: 16/03/18	TITLE SPARES - OVEN LININGS AND HOB	
SCALE: 1:10	DRAWING NUMBER	ISSUE
MATL:	AA55165	A
THICKNESS:		

© NO REPRODUCTION OR PUBLICATION OF THIS DRAWING MAY BE MADE AND NO ARTICLE MAY BE MANUFACTURED OR ASSEMBLED IN ACCORDANCE WITH THIS DRAWING WITHOUT PRIOR WRITTEN CONSENT. THIS PROHIBITION IS A TERM OF ANY CONTRACT RELATING TO THIS DRAWING. RIGHTS RESERVED UNDER THE COPYRIGHT ACT 1956 AS AMENDED BY THE DESIGN COPYRIGHT ACT 1968



ITEM	DESCRIPTION	SPARES No.
1a	GAS CONTROL VALVE SIT	537750020
1b	GAS CONTROL VALVE ELECTROSIT	531750330
2	TEE 1/2" X 1/2" X 1/4"	535500021
3	ELBOW 1/2"X 1/2"	531744120
4	PRESSURE TEST NIPPLE	535820030
5	BURNER PIPE	535500024
6	GAS VALVE SOLENOID	535500070
7	PILOT PIPE	535500040
8	IGNITION ASSEMBLY	535500071
9	BURNER OVEN	535500043
10a	PILOT INJECTOR NAT GAS	537742002
10b	PILOT INJECTOR PROP	537742003
11	PILOT ASSEMBLY NAT	537742000
12	ELECTRODE LEAD ASSY	531740620
13a	OVEN INJECTOR NAT SIT	537741110
13b	OVEN INJECTOR NAT ELECTROSIT	537741098
13c	OVEN INJ PROP ELCTROSIT & SIT	537741099
14	PIEZO IGNITER ASSEMBLY	535500066
15	REDUCER 3/8" X 1/8"	535500027
16	ELBOW	535500026
17	ELBOW 1/2" X 3/8"	535500073
18	GAS VALVE MAINS LEAD	535500069
19	NIPPLE 1/2"	535500020
20	THERMOCOUPLE	535500044
21	MALE STUD ELBOW	531600030
22	GAS VALVE PIPE FLEXI	537950190
23	INLET SOCKET ASSEMBLY	537880720
24	1/2" BSP X 12mm COUPLING	531610050

PRODUCTION ISSUE

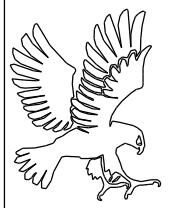
ISSUE	MOD No	ALTERATION	DRAWN BY	DATE
A	8079	PRODUCTION ISSUE	F.GARVOCK	29/03/18

IF IN DOUBT ASK
DO NOT SCALE
FIRST ANGLE PROJECTION

UNLESS OTHERWISE SPECIFIED:
DIMENSIONS ARE IN MILLIMETERS
TOLERANCES:
LINEAR: ±0.5mm
ANGULAR: ±0.5 DEG

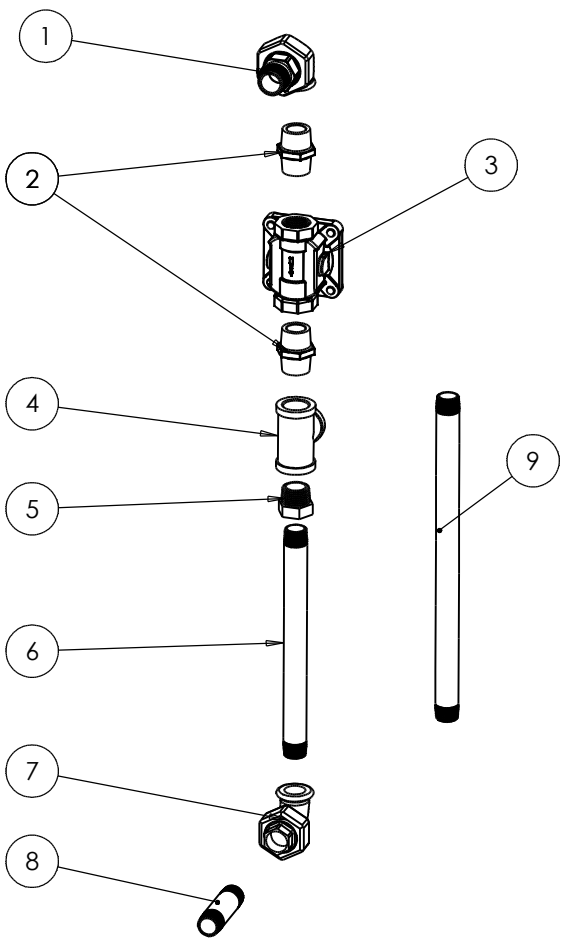
DEBUR AND
BREAK SHARP EDGES

WEIGHT: 335818.71g



DRAWN: F.GARVOCK	PRODUCT G2102 CONVECTION OVEN	
DATE: 20/03/18	TITLE SPARES - PIPEWORK	
SCALE: 1:5	DRAWING NUMBER	ISSUE
MATL:	AA55166	A
THICKNESS:		

© NO REPRODUCTION OR PUBLICATION OF THIS DRAWING MAY BE MADE AND NO ARTICLE MAY BE MANUFACTURED OR ASSEMBLED IN ACCORDANCE WITH THIS DRAWING WITHOUT PRIOR WRITTEN CONSENT. THIS PROHIBITION IS A TERM OF ANY CONTRACT RELATING TO THIS DRAWING. RIGHTS RESERVED UNDER THE COPYRIGHT ACT 1956 AS AMENDED BY THE DESIGN COPYRIGHT ACT 1968



ITEM	DESCRIPTION	
1	UNION ELBOW 3/4"	535500033
2	NIPPLE HEX 3/4"	535480016
3	GOVERNOR 3/4"	535500060
4	TEE 3/4"	535500032
5	REDUCER 3/4" X 1/2"	535500031
6	FEED PIPE VRTICAL NAT AGS	535500030
7	ELBOW 1/2" FEMALE UNION	535500029
8	FEED PIPE BOTOM	535500028
9	FEED PIPE VERTICAL PROP	535500034
	INTERCONNECTION SET NAT GAS	535500057
	INTERCONNECTING SET PROP	535500058

PRODUCTION ISSUE

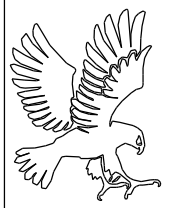
ISSUE	MOD No	ALTERATION	DRAWN BY	DATE
A	8079	PRODUCTION ISSUE	F.GARVOCK	29/03/18

IF IN DOUBT ASK
DO NOT SCALE
FIRST ANGLE PROJECTION

UNLESS OTHERWISE SPECIFIED:
DIMENSIONS ARE IN MILLIMETERS
TOLERANCES:
LINEAR: ±0.5mm
ANGULAR: ±0.5 DEG

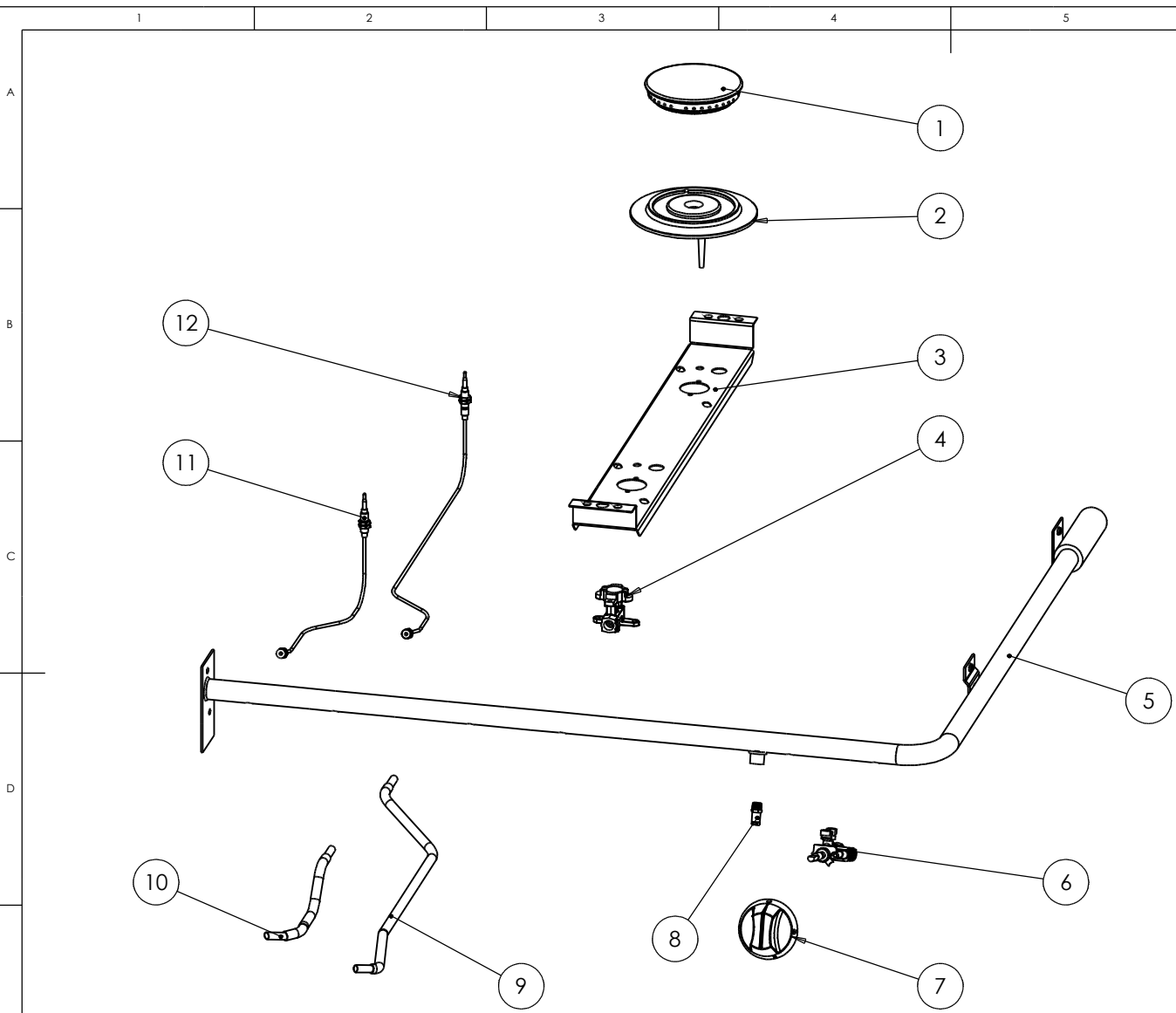
DEBUR AND
BREAK SHARP EDGES

WEIGHT: 335818.71g



DRAWN: F.GARVOCK	PRODUCT G2102 CONVECTION OVEN	
DATE: 27/03/18	TITLE SPARES - INTERCONNECTING PIPEWORK	
SCALE: 1:10	DRAWING NUMBER	ISSUE
MATL:	AA55195	A
THICKNESS:		
FINISH:		

© NO REPRODUCTION OR PUBLICATION OF THIS DRAWING MAY BE MADE AND NO ARTICLE MAY BE MANUFACTURED OR ASSEMBLED IN ACCORDANCE WITH THIS DRAWING WITHOUT PRIOR WRITTEN CONSENT. THIS PROHIBITION IS A TERM OF ANY CONTRACT RELATING TO THIS DRAWING. RIGHTS RESERVED UNDER THE COPYRIGHT ACT 1956 AS AMENDED BY THE DESIGN COPYRIGHT ACT 1968



ITEM	DESCRIPTION	SPARES No.
1	BURNER CAP ASSEMBLY	535290000
2	BURNER BASE	535290001
3	BURNER SUPPORT	535290002
4a	INJECTOR HOLDER & JET NAT GAS	535290003
4b	INJECTOR & HOLDER & JET PROP	535290011
5	FLOAT RAIL	535400205
6a	GAS TAP NAT GAS	535480020
6b	GAS TAP PROP	535480021
7	CONTROL KNOB HOB	535400010
8	PRESSURE TEST NIPPLE	535820030
9	REAR PIPE	535400055
10	FRONT PIPE	535400045
11	OPEN TOP THERMOCOUPLE FRONT	535480011
12	OPEN TOP THERMOCOUPLE REAR	535480012

PRODUCTION ISSUE

ISSUE	MOD No	ALTERATION	DRAWN BY	DATE
A	8079	PRODUCTION ISSUE	F.GARVOCK	29/03/18

IF IN DOUBT ASK
DO NOT SCALE
FIRST ANGLE PROJECTION

UNLESS OTHERWISE SPECIFIED:
DIMENSIONS ARE IN MILLIMETERS
TOLERANCES:
LINEAR: ±0.5mm
ANGULAR: ±0.5 DEG

DEBUR AND
BREAK SHARP EDGES

WEIGHT: 334407.61g



DRAWN: F.GARVOCK	PRODUCT G2102 CONVECTION OVEN	
DATE: 27/03/18	TITLE SPARES - OPEN TOP PIPEWORK	
SCALE: 1:5	DRAWING NUMBER	ISSUE
MATL:	AA55196	A
THICKNESS:		

© NO REPRODUCTION OR PUBLICATION OF THIS DRAWING MAY BE MADE AND NO ARTICLE MAY BE MANUFACTURED OR ASSEMBLED IN ACCORDANCE WITH THIS DRAWING WITHOUT PRIOR WRITTEN CONSENT. THIS PROHIBITION IS A TERM OF ANY CONTRACT RELATING TO THIS DRAWING. RIGHTS RESERVED UNDER THE COPYRIGHT ACT 1956 AS AMENDED BY THE DESIGN COPYRIGHT ACT 1968