

1

2

3

4

5

6

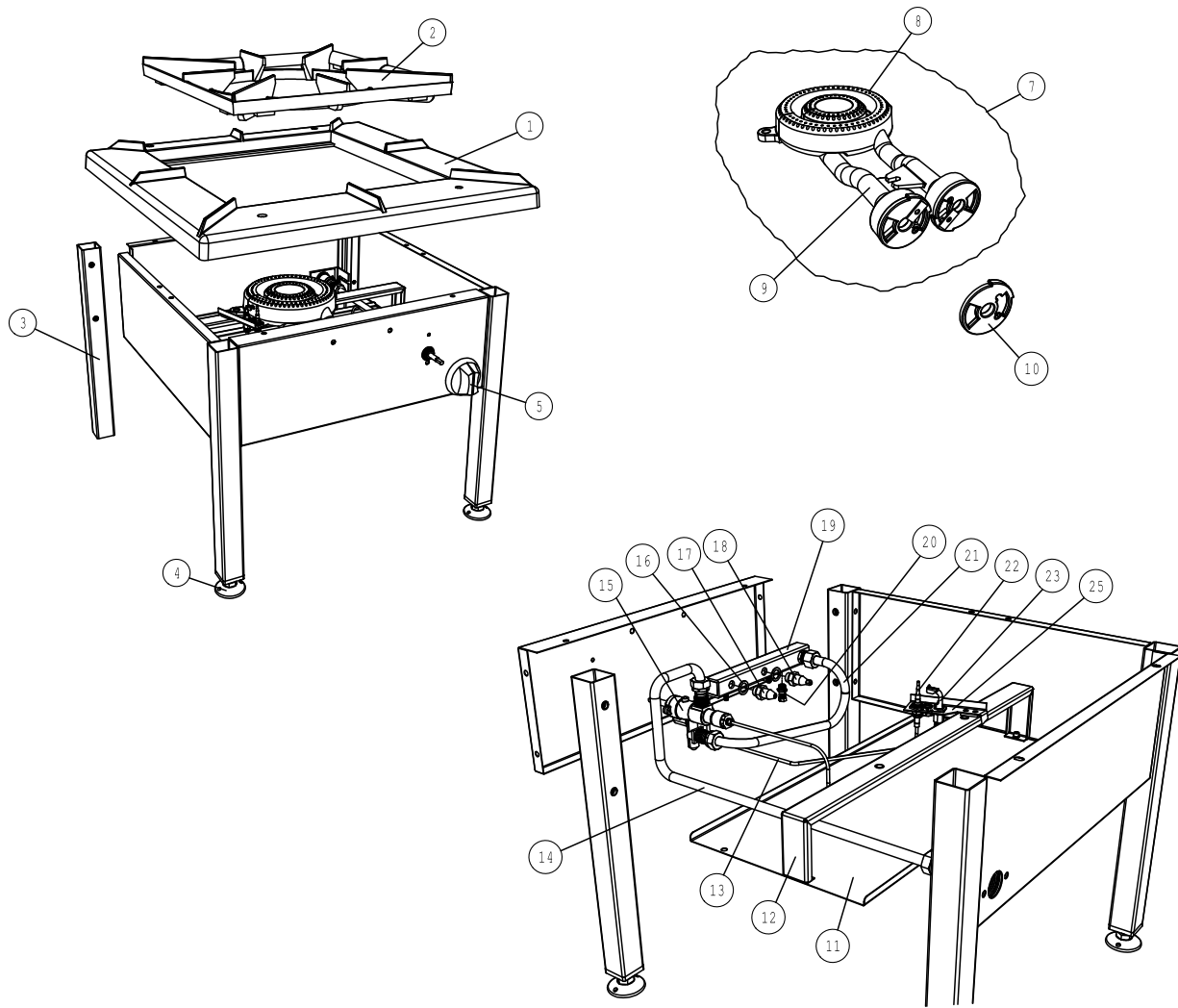
7

8

IF IN DOUBT ASK!!

DO NOT SCALE !!

First Angle Projection



ITEM No.	DESCRIPTION	SPARES No.
1	CAST HOB	537950140
2	CAST PAN SUPPORT	530950075
3	ST/ST LEG	537950165
4	ADJUSTABLE FOOT	537950180
5	CONTROL KNOB	537950026
6	GAS GOVERNOR - NOT SHOWN	530950260
7	DOUBLE BURNER ASSEMBLY	530950042
8	OUTER BURNER ASSEMBLY	530950300
9	INNER BURNER ASSEMBLY	530950310
10	BURNER AERATION RING	530950210
11	BASE PLATE	537950150
12	BURNER SUPPORT	530950290
13	PILOT PIPE (FLEXIBLE)	535010011
14	GAS INLET PIPE (FLEXIBLE)	537950190
15	GAS VALVE	537950020
16	COPPER SEALING WASHER	534350730
17	INJECTOR - OUTER RING (NAT GAS)	537950030
	INJECTOR - OUTER RING (PROPANE)	537950130
18	INJECTOR - INNER RING (NAT GAS)	537950031
	INJECTOR - INNER RING (PROPANE)	537950120
19	MANIFOLD ASSEMBLY	537950050
20	PRESSURE TEST NIPPLE	530950270
21	VALVE TO MANIFOLD PIPE (FLEXIBLE)	537950200
22	THERMOCOUPLE	534101004
23	PILOT BURNER ASSEMBLY (NAT GAS)	537950060
	PILOT BURNER ASSEMBLY (PROPANE)	537950065
24	PILOT INJECTOR (NAT GAS) - NOT SHOWN	539110270
	PILOT INJECTOR (PROPANE) - NOT SHOWN	537950110
25	PILOT BRACKET	537950080

All dimensions in millimetres, Tolerance- Linear $\pm 0.5\text{mm}$ Angular $\pm 0.5^\circ$ (or as stated). All sharp edges to be removed from sheet metal parts.

No reproduction or publication of this drawing may be made and no article may be manufactured or assembled in accordance with this drawing without prior written consent. This prohibition is a term of any contract relating to this drawing. Rights reserved under the Copyright Act 1956 as amended by the Design Copyright Act 1988.

This part is common to the following units



Drawn	G. SMITH	Product	G1478 STOCKPOT STOVE	
Date	05/02/08	Title	SPARES INFORMATION	
Scale		Drawing Number	BC45873	A
Mat.		Issue		
No. off	Finish			
Bin No.	Kraus No. T111821			

Drawing Number	BC45873				
	Issue	Mod No.	Alteration	Zone	Date
	A	1180	PRODUCTION ISSUE		G. SMITH 05/02/08