

F900 SERIES



E9640 Sous Vide Unit

Spares Information



E9640-Spares-08/19

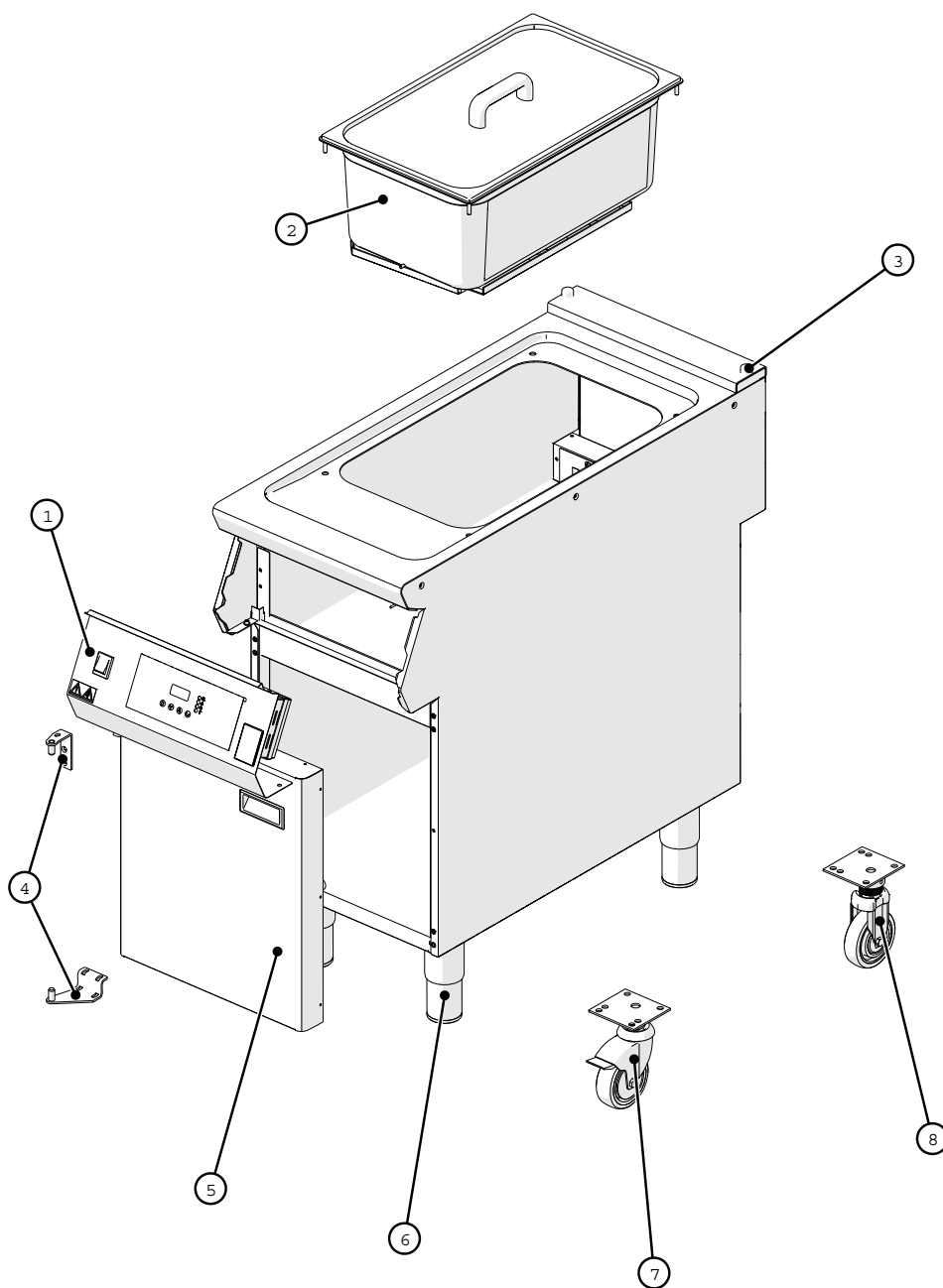
Falcon Foodservice Equipment

Wallace View, Hillfoots Road, Stirling FK9 5PY t: +44 (0) 1786 455 200 f: 08000 275 595
info@falconfoodservice.com www.falconfoodservice.com

F900 SERIES

E9640 Sous Vide Unit

Common Fitments





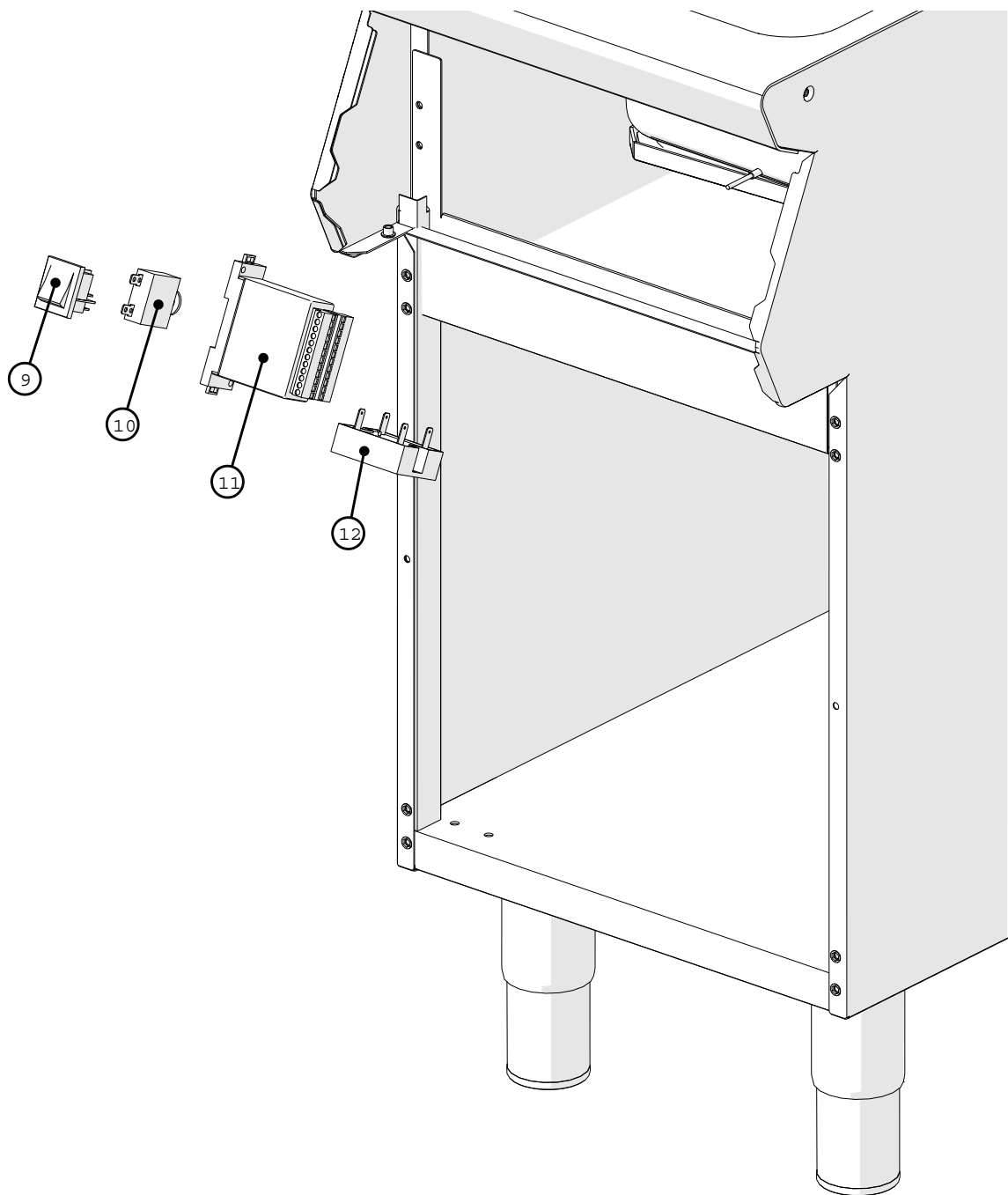
Common Fitments

<u>Item</u>	<u>Description</u>	<u>Spares No.</u>	<u>Part No.</u>
1.	Control panel assembly	733670000	RA9394
2.	Tank assembly	733670001	RA9393
3.	Screw cap kit	533550009	690049
4.	Hinge kit	533810002	690082
5.	Door assembly	533810000	900171
6.	Adjustable leg (150mm)	535480067	R6285
7.	Swivel castors (set of 2)	535400222	600286
8.	Fixed castors (set of 2)	530964340	600284

F900 SERIES

E9640 Sous Vide Unit

Controls





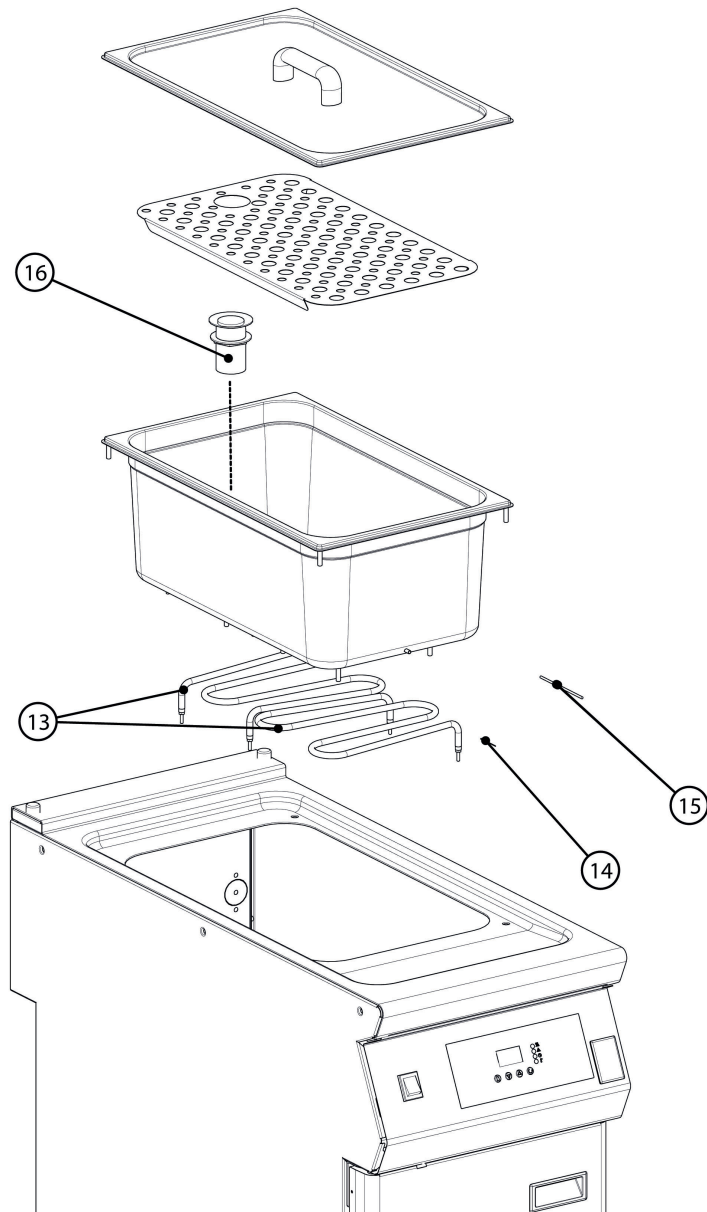
Controls

<u>Item</u>	<u>Description</u>	<u>Spares No.</u>	<u>Part No.</u>
9.	IPX65 power switch	733670003	RA9399
10.	10A breaker	733670008	RA9404
11.	K30 temperature controller	733670002	RA9398
12.	Solid state relay	733670004	RA9400

F900 SERIES

E9640 Sous Vide Unit

Tank Fitments





Tank Fitments

<u>Item</u>	<u>Description</u>	<u>Spares No.</u>	<u>Part No.</u>
13.	Element (<i>1kW</i>)	733670007	RA9403
14.	Low level sensor	733670005	RA9401
15.	Temperature sensor	733670006	RA9402
16.	Drain boss and plug	733670009	RA9449