



F900

Eg460 Electric Chargrill

Key features

- Element heats up very quickly
 - Switch on as and when required, saving energy
- Cook directly on element
 - Delivers branding marks expected of chargrilling
 - Provides even cooking across the entire cooking area
- Removable grease container needs no water
 - No having to separate grease and water for disposal
- Magnetic sidescreens can be removed
 - Easy to clean
- Upward swivel element
 - Makes it much easier and safer to clean
- Supplied with ptfе lining sheets
 - Easy to clean and prevents grease and debris build-up
- IPX5 rated
 - Easy and problem-free cleaning
- Stainless steel panels with Scotch Brite finish
 - Looks great, ideal for front-of-house kitchens
- Dynamic Link System compatible
 - Integrated linking system allows quick and easy installation to create a seamless, continuous cookline

Accessories

- Fixed stand (ST60)
- Front hob rail
- Kick strip (for stand)
- Rear blanking plate (for stand)
- Side hob extension
- Factory fitted, adjustable castors
- Grease collection system



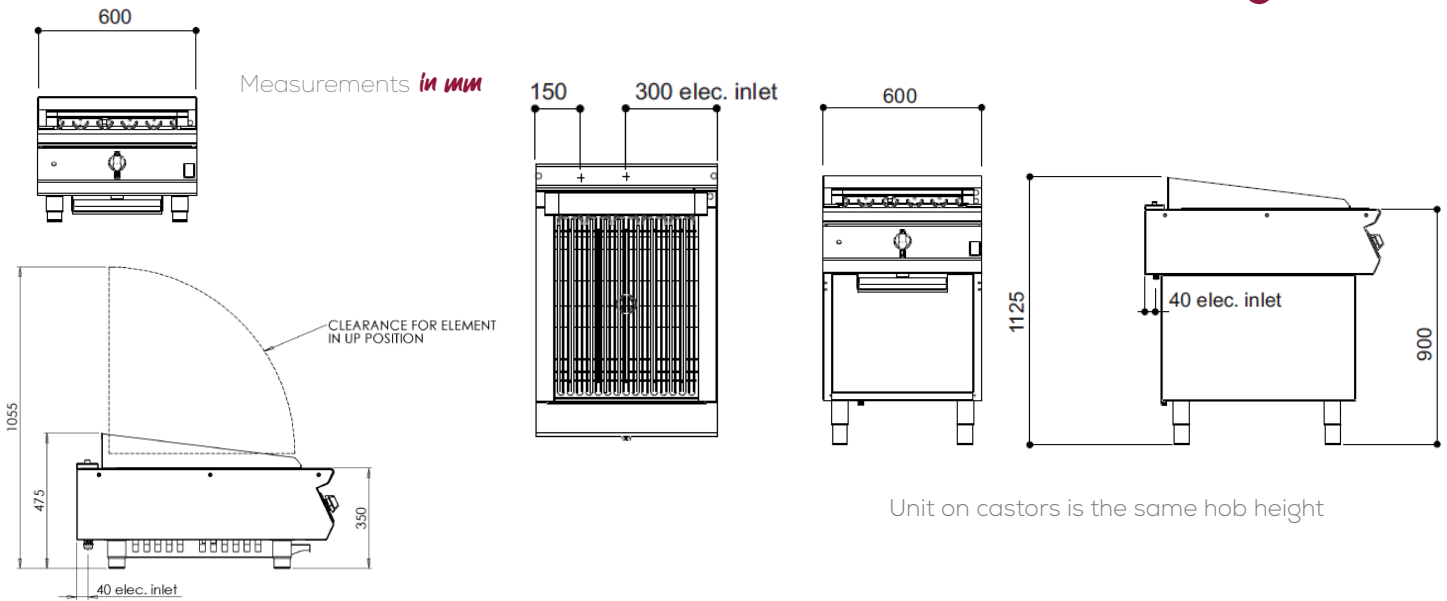
Similar Models

- E9490 electric chargrill (F900)
- E3625 electric chargrill (Dominador Plus)
- E3925 electric chargrill (Dominador Plus)

F900

E9460

Electric Chargrill



Unit on castors is the same hob height

Specification details

Electrical rating (kW)	8.4
Electrical supply voltage	400V 3N~
Required electrical supply (A)	32
Electrical current split (A)	L1: 11.1, L2: 14.55, L3: 11.1
Cooking area (w x d - mm)	450 x 590
Weight (kg)	49
Weight on stand (kg)	68
Packed weight (kg)	62
Packed dimensions (w x d x h - mm)	700 x 1000 x 780
GTIN number	

Short Form specification

Unit to be Falcon F900 Series high performance electric chargrill. Unit to be supplied upon adjustable feet or installed upon open stand. Unit will be fitted with removable stainless steel splashguard to the rear and sides.

Food will be placed directly upon the elements. The elements will tilt up to provide easy access for cleaning.

The hob will be constructed from 2mm 304 grade stainless steel. Hobs will be laser cut with right-angled edges to allow joining of units with no gaps between hobs. Exterior panels are Scotch Brite finish stainless steel. Control knobs to be marked showing temperature positions and to have a bezel behind each knob to prevent water ingress.

Installation note

Please consult local legislation with regard to installation of cooking equipment.



Falcon Foodservice Equipment, Wallace View, Hillfoots Road, Stirling FK9 5PY Scotland
t: +44 (0) 1786 455 200 e: info@falconfoodservice.com www.falconfoodservice.com

E9460/SS/1120