



DOMINATOR**PLUS**

E3907i Solid Top Induction Boiling Top

Key features

- 5 zone energy efficient induction hob
 - All the usability, versatility and power of a gas solid top combined with the energy efficiency, increased controllability, easy clean and safety of induction.
 - 7.5kW 320 x 320mm central zone
 - 3kW 160 x 320mm zones right and left
 - 5kW front and 3kW rear zones are 670 x 100mm
- In-built pan detection
 - No heat generated until a pan is placed on the hob, meaning no wasted energy
- Ideal for multi-pot and large pot cooking
 - Smaller pots can share zones while larger ones can straddle zones
- Heavy duty ceramic glass hob
 - Robust and spillages simply wipe clean, no scrubbing required
- Temperature is precisely controllable
 - Change from gentle simmer to rolling boil almost instantly
- Low cooking surface temperature and no naked flames
 - Safer for kitchen staff as reduced risk of burns
- Very little heat emitted into kitchen
 - Contributes to a more pleasant working environment and existing ventilation doesn't have to work as hard

Accessories

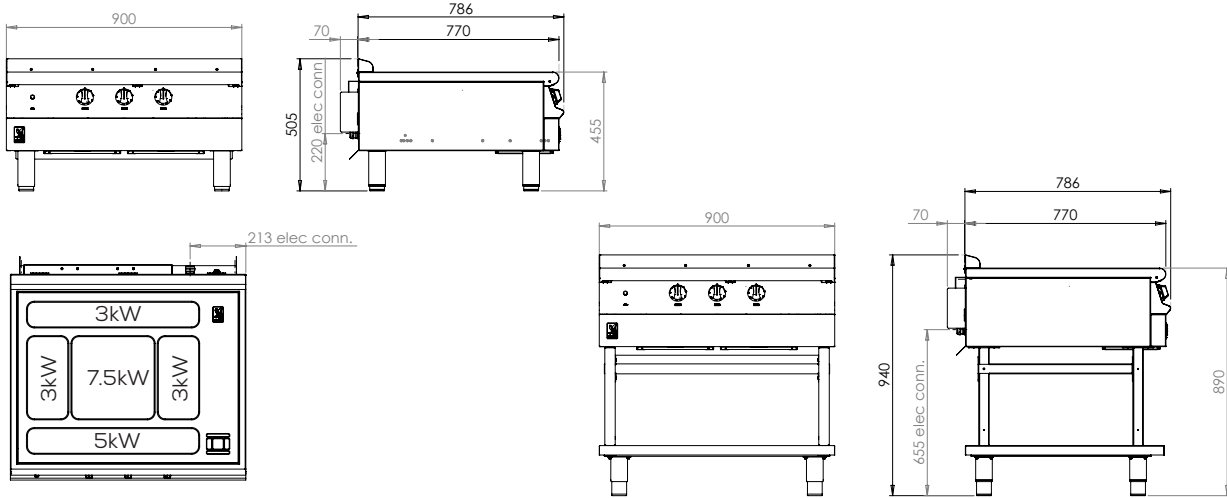
- Fixed stand
- Factory fitted, adjustable castors (for stand)
- Fixed installation kit
- Suiting kit

Similar Models

- E3917i solid top induction range
- E3903i 4 x 3.5kW induction top
- E3904i 4 x 5kW induction top
- i9084 4 x 3.5kW induction range top
- i9085 4 x 5kW induction range top



Solid Top Induction Top



Measurements *in mm*

Unit on castors is the same hob height

Specification details

Electrical rating (kW)	21.5
Electrical supply voltage	400V 3N~
Required electrical supply (A)	31.2
Electrical current split (A)	L1: 31.2 L2: 31.2 L3: 31.2
Element rating (kW)	1 x 7.5, 1 x 5, 3 x 3
Heat zone sizes (mm)	Centre - 320 x 320
	Sides - 160 x 320
	Front & back - 670 x 100
Minimum pan size (mm)	120
Weight (kg)	110
Packed weight (kg)	125
Packed dimensions (w x d x h - mm)	1000 x 1000 x 700
GTIN number	5056466907501

Installation notes

Adequate ventilation must be provided to supply sufficient fresh air for combustion and to allow easy removal of any such products that may present a risk to health. Please consult current legislation for details that relate to specific locations.

Install unit on a level, fireproof surface in a well-lit, draught free position. If floor is made of a combustible material, local fire requirements must be checked to ensure compliance.

A clearance of 150mm should be observed between appliance and any combustible wall.

