

ITEM	DESCRIPTION	SPARES No
1	BASE PANEL	531610190
	BASE PANEL ASSY (OFFSHORE)	731600006
2	OUTER TOP	531610170
3	OUTER SIDE LH	731600000
4	OUTER SIDE RH	531610250
5	CONTROL PANEL	731600001
6	INNER BACK PANEL	731580004
7	OUTER BACK PANEL ASSY	535980003
	OUTER BACK PANEL ASSY (OFFSHORE)	731600007
	BACK PANEL COVER PLATE	535980004
7-1	BACK PANEL COVER PLATE (OFFSHORE)	731600008
8	INNER SIDE LH	531610390
9	INNER SIDE RH	531610350
10	INNER TOP PANEL	531610200
11	COOLING PLATE	731600002
12	WIRE GRID C/W HANDLES	535980006
	12-1 HANDLE & DISC FOR GRID	535900010
13	DRIP TROUGH	731600003
14	DRIP TRAY	731600004
15	FRONT FACIA	731600005

PRODUCTION ISSUE

ISSUE	MOD No	ALTERATION	DRAWN BY	DATE
A	1305	PRODUCTION ISSUE	S McGuinness	15/11/11
B	6671	OFFSHORE INFORMATION ADDED	G.SMITH	10/07/12

IF IN DOUBT ASK
DO NOT SCALE
FIRST ANGLE PROJECTION

UNLESS OTHERWISE SPECIFIED:
DIMENSIONS ARE IN MILLIMETERS
TOLERANCES:
LINEAR: ±0.5mm
ANGULAR: ±0.5 DEG

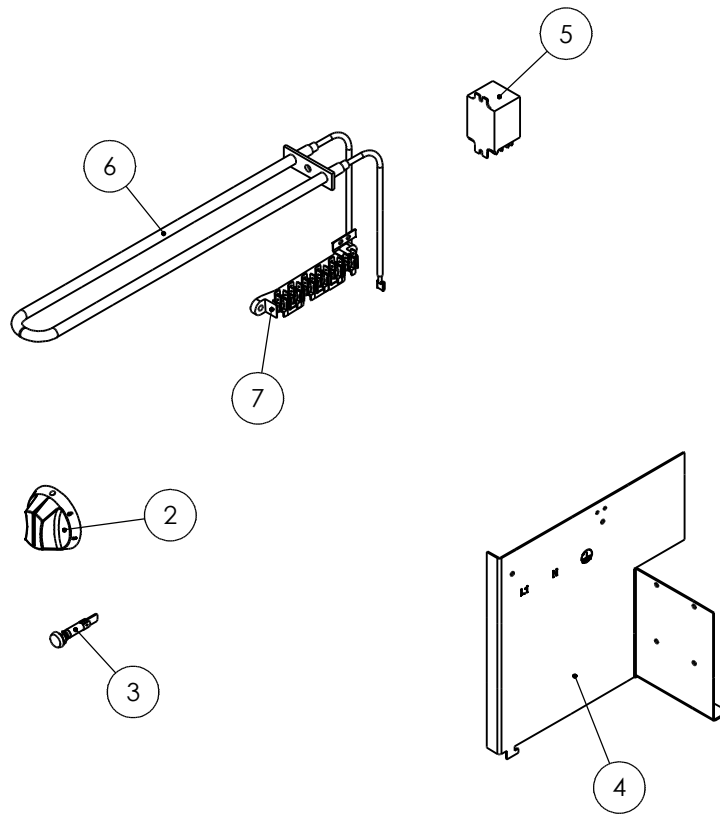
DEBUR AND
BREAK SHARP EDGES

WEIGHT: 54892.38g



DRAWN: S McGuinness	PRODUCT	E3512 GRILL	
DATE: 17/10/11	TITLE	SPARES DIAGRAM - FITMENTS	
SCALE:	DRAWING NUMBER	AD48966	ISSUE
MATL:	THICKNESS:	FINISH:	B
BIN No:	PART No:		

© NO REPRODUCTION OR PUBLICATION OF THIS DRAWING MAY BE MADE AND NO ARTICLE MAY BE MANUFACTURED OR ASSEMBLED IN ACCORDANCE WITH THIS DRAWING WITHOUT PRIOR WRITTEN CONSENT. THIS PROHIBITION IS A TERM OF ANY CONTRACT RELATING TO THIS DRAWING. RIGHTS RESERVED UNDER THE COPYRIGHT ACT 1956 AS AMENDED BY THE DESIGN COPYRIGHT ACT 1968



ITEM	DESCRIPTION	Qty PER UNIT	SPARES No
1	ENERGY REGULATOR	1	737630011
	ROTARY SWITCH (OFFSHORE)	1	731580017
2	CONTROL KNOB	1	731610000
	CONTROL KNOB (OFFSHORE)	1	731600009
3	NEON INDICATOR	1	731540330
	NEON INDICATOR (OFFSHORE)	1	731600010
4	RELAY BRACKET	1	731580009
5	RELAY UNIT	1	731580008
6	ELEMENT - 230v	6	731540400
	ELEMENT - 440v	6	731580014
7	MAINS TERMINAL BLOCK	3	731580010

PRODUCTION ISSUE

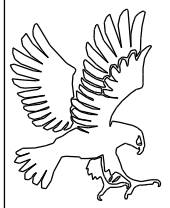
ISSUE	MOD No	ALTERATION	DRAWN BY	DATE
A	1305	PRODUCTION ISSUE	S McGuinness	15/11/11
B	6671	OFFSHORE INFORMATION ADDED	G.SMITH	11/07/12

IF IN DOUBT ASK
DO NOT SCALE
FIRST ANGLE PROJECTION

UNLESS OTHERWISE SPECIFIED:
DIMENSIONS ARE IN MILLIMETERS
TOLERANCES:
LINEAR: ±0.5mm
ANGULAR: ±0.5 DEG

DEBUR AND
BREAK SHARP EDGES

WEIGHT: 54892.38g



DRAWN: S McGuinness	PRODUCT E3512 GRILL	
DATE: 14/10/2011	TITLE SPARES DIAGRAM - CONTROLS	
SCALE:	DRAWING NUMBER	ISSUE
MATL:	AD48970	B
THICKNESS:	FINISH:	PART No:
BIN No:		

© NO REPRODUCTION OR PUBLICATION OF THIS DRAWING MAY BE MADE AND NO ARTICLE MAY BE MANUFACTURED OR ASSEMBLED IN ACCORDANCE WITH THIS DRAWING WITHOUT PRIOR WRITTEN CONSENT. THIS PROHIBITION IS A TERM OF ANY CONTRACT RELATING TO THIS DRAWING. RIGHTS RESERVED UNDER THE COPYRIGHT ACT 1956 AS AMENDED BY THE DESIGN COPYRIGHT ACT 1968