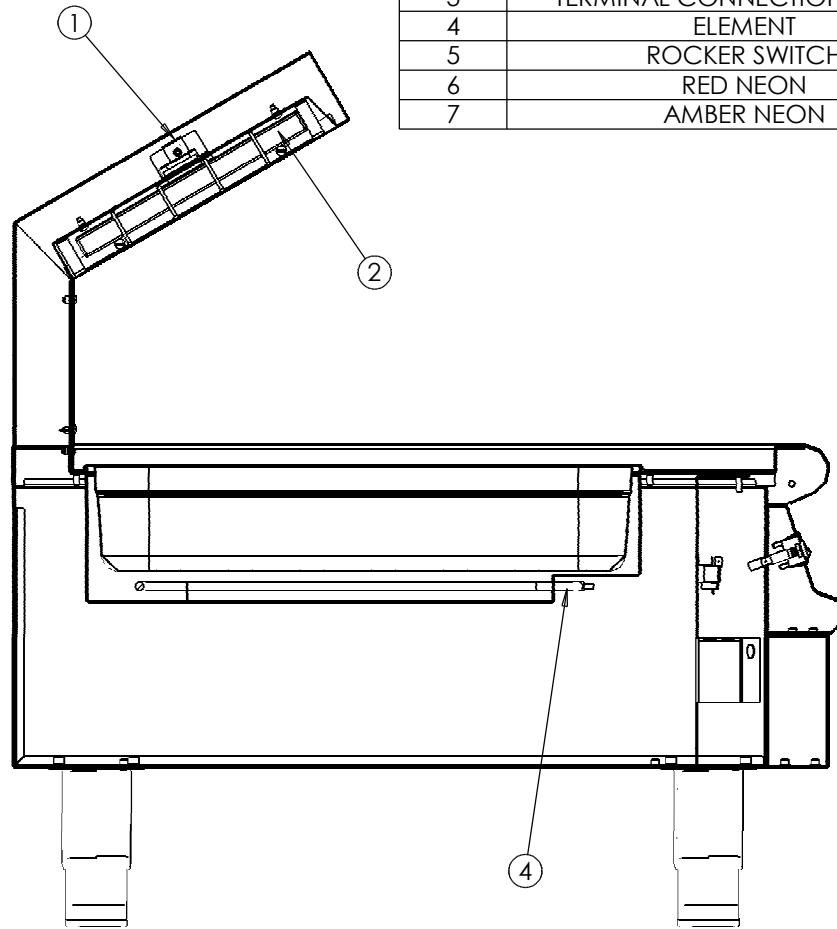
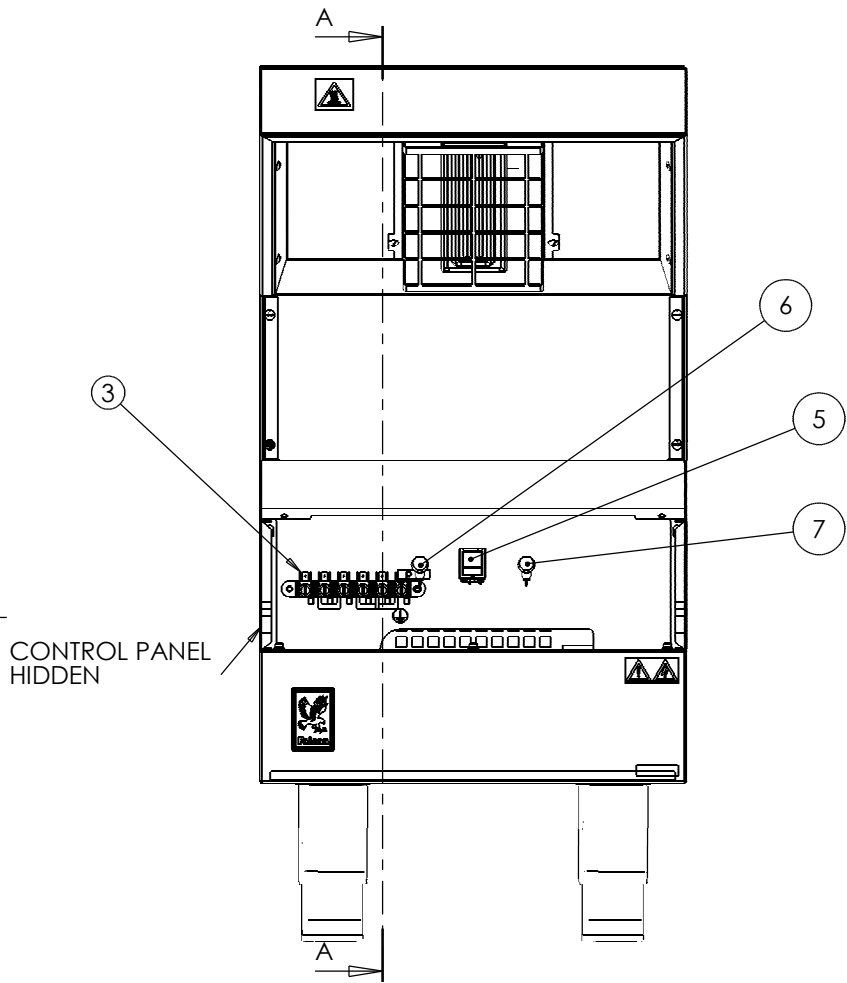


ITEM No	DESCRIPTION	SPARES No
1	TREMINAL BLOCK	734060004
2	CERAMIC HEATER ELEMENT	735700022
3	TERMINAL CONNECTION BLOCK	731000006
4	ELEMENT	730910190
5	ROCKER SWITCH	536380008
6	RED NEON	730962101
7	AMBER NEON	730962040



SECTION A-A
SCALE 1 : 5

PRODUCTION ISSUE

ISSUE	MOD No	ALTERATION	DRAWN BY	DATE
A	1378	PRODUCTION RELEASED	P.METCALFE	28/02/14

IF IN DOUBT ASK
DO NOT SCALE
FIRST ANGLE PROJECTION

UNLESS OTHERWISE SPECIFIED:
DIMENSIONS ARE IN MILLIMETERS
TOLERANCES:
LINEAR: ±0.5mm
ANGULAR: ±0.5 DEG

DEBUR AND
BREAK SHARP EDGES

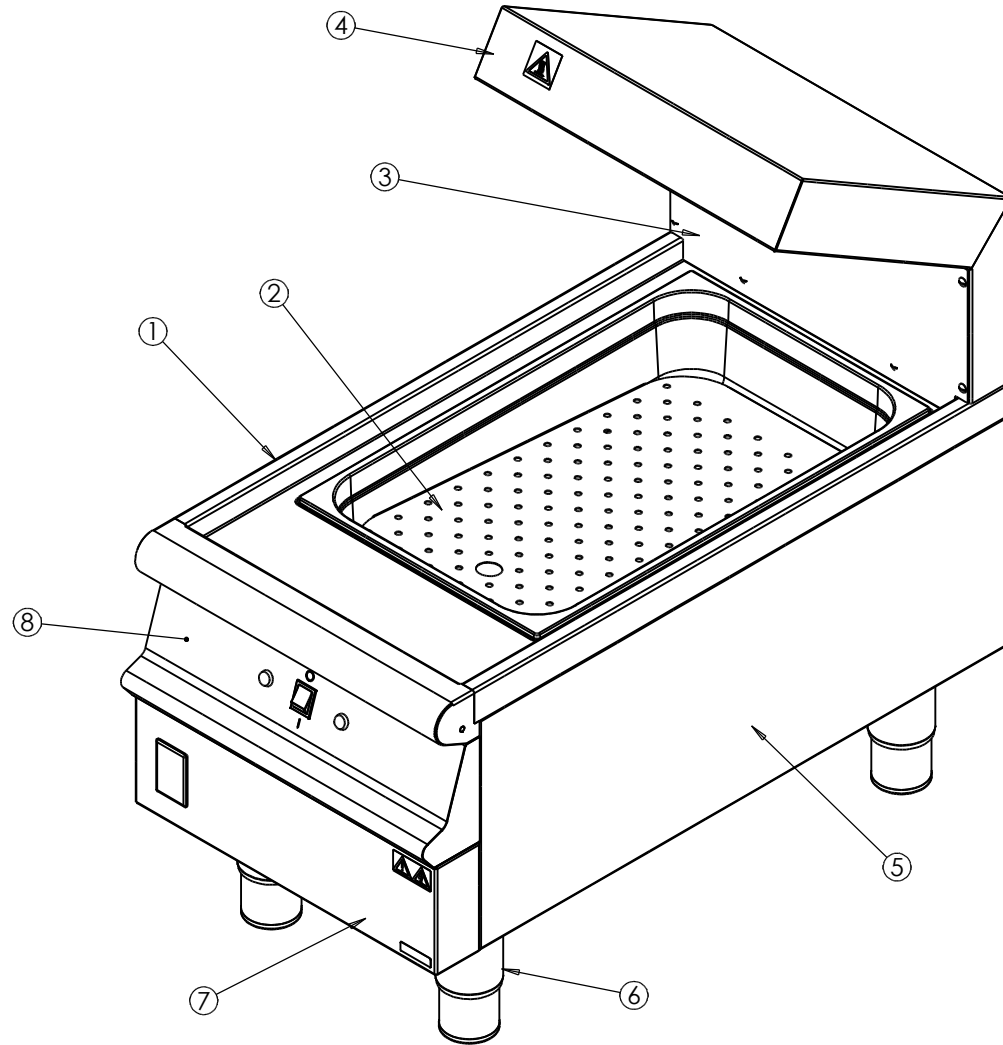
WEIGHT: 149417.89g



DRAWN: S.McGUINNESS	PRODUCT E3405 CHIP SCUTTLE	
DATE: 06/11/12	TITLE SPARES - ELECTRICS	
SCALE: 1:10	DRAWING NUMBER	ISSUE
MATL:	AD50073	A
THICKNESS:	FINISH:	PART No:
BIN No:		

© NO REPRODUCTION OR PUBLICATION OF THIS DRAWING MAY BE MADE AND NO ARTICLE MAY BE MANUFACTURED OR ASSEMBLED IN ACCORDANCE WITH THIS DRAWING WITHOUT PRIOR WRITTEN CONSENT. THIS PROHIBITION IS A TERM OF ANY CONTRACT RELATING TO THIS DRAWING. RIGHTS RESERVED UNDER THE COPYRIGHT ACT 1956 AS AMENDED BY THE DESIGN COPYRIGHT ACT 1968

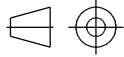
ITEM No	DESCRIPTION	SPARES No
1	HOB	735870000
2	PERFORATED TRAY	539215180
3	FLUE FRONT	735870001
4	FLUE REAR	735870002
5	SIDE PANEL (FITS BOTH SIDES)	735850000
6	ADJUSTABLE FEET	731350013
7	FRONT FACIA PANEL	735870003
8	CONTROL PANEL	735870004



PRODUCTION ISSUE

ISSUE	MOD No	ALTERATION	DRAWN BY	DATE
A	1378	PRODUCTION RELEASED	P.METCALFE	28/02/14

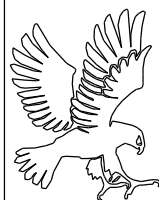
IF IN DOUBT ASK
DO NOT SCALE
FIRST ANGLE PROJECTION



UNLESS OTHERWISE SPECIFIED:
DIMENSIONS ARE IN MILLIMETERS
TOLERANCES:
LINEAR: ±0.5mm
ANGULAR: ±0.5 DEG

DEBUR AND
BREAK SHARP EDGES

WEIGHT: 149417.89g



DRAWN: S.McGUINNESS	PRODUCT E3405 CHIP SCUTTLE	
DATE: 31/10/12	TITLE SPARES - BODY	
SCALE: 1:5	DRAWING NUMBER	ISSUE
MATL:	AD50071	A
THICKNESS:	FINISH:	PART No:
BIN No:		